

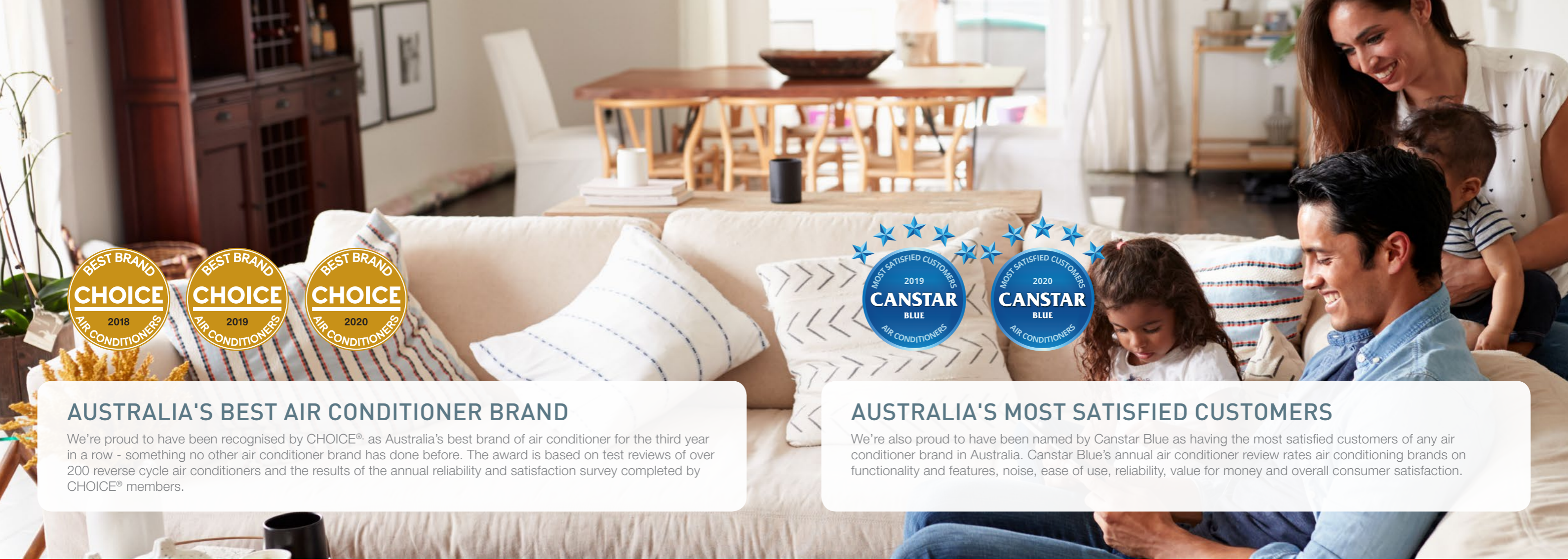


AIR CONDITIONING



HEATING AND COOLING SOLUTIONS

DUCTED SYSTEMS



AUSTRALIA'S BEST AIR CONDITIONER BRAND

We're proud to have been recognised by CHOICE® as Australia's best brand of air conditioner for the third year in a row - something no other air conditioner brand has done before. The award is based on test reviews of over 200 reverse cycle air conditioners and the results of the annual reliability and satisfaction survey completed by CHOICE® members.

AUSTRALIA'S MOST SATISFIED CUSTOMERS

We're also proud to have been named by Canstar Blue as having the most satisfied customers of any air conditioner brand in Australia. Canstar Blue's annual air conditioner review rates air conditioning brands on functionality and features, noise, ease of use, reliability, value for money and overall consumer satisfaction.

MITSUBISHI HEAVY INDUSTRIES AIR CONDITIONERS AUSTRALIA

Mitsubishi Heavy Industries Air-Conditioners Australia (MHIAA) is one of Australia's leading suppliers of premium residential and commercial air conditioning systems. Delivering engineering excellence for over 130 years, the Mitsubishi Heavy Industries brand is instantly recognisable for quality and technological advancement. With innovation central to both the organisation and the development of air conditioning systems, Mitsubishi Heavy Industries carries a strong philosophy of engineering products that are designed to improve the lives of those who use them and, at the same time, create a sustainable future for our company and the world we live in.

BRAND AMBASSADOR TARA DENNIS

Interior designer and Television presenter Tara Dennis joins Mitsubishi Heavy Industries Air-Conditioners Australia as the brand's first ambassador to Australia and New Zealand. With extensive experience in home decoration and design, Tara represents the home renovator looking to improve the design of their homes. "As someone who has a passion for styling and renovating you want to push the boundaries and create a space that people love being in. Mitsubishi Heavy Industries Air conditioners Australia is the perfect extension of this and a brand that I am proud to be supporting"



Tara Dennis

COMMITTED TO QUALITY

Standing behind the quality of our products, is our commitment to our customers and our after sales service guarantees. Along with the rigorous quality assurance testing carried out on all Mitsubishi Heavy Industries products, comprehensive warranties provide you with peace of mind and carry our commitment to quality.

5 YEARS PARTS AND LABOUR WARRANTY

Mitsubishi Heavy Industries Air conditioners Australia focuses solely on manufacturing high performance air conditioners for the Australian market. All our systems are of the highest quality and are backed by a full 5 year parts and labour warranty.



EXCEEDING ENERGY PERFORMANCE STANDARDS

To comply with Australian standards and deliver the most efficient solutions possible to our customers, all Mitsubishi Heavy Industries Air conditioners Australia systems meet and exceed the Minimum Energy Performance Standards (MEPS).

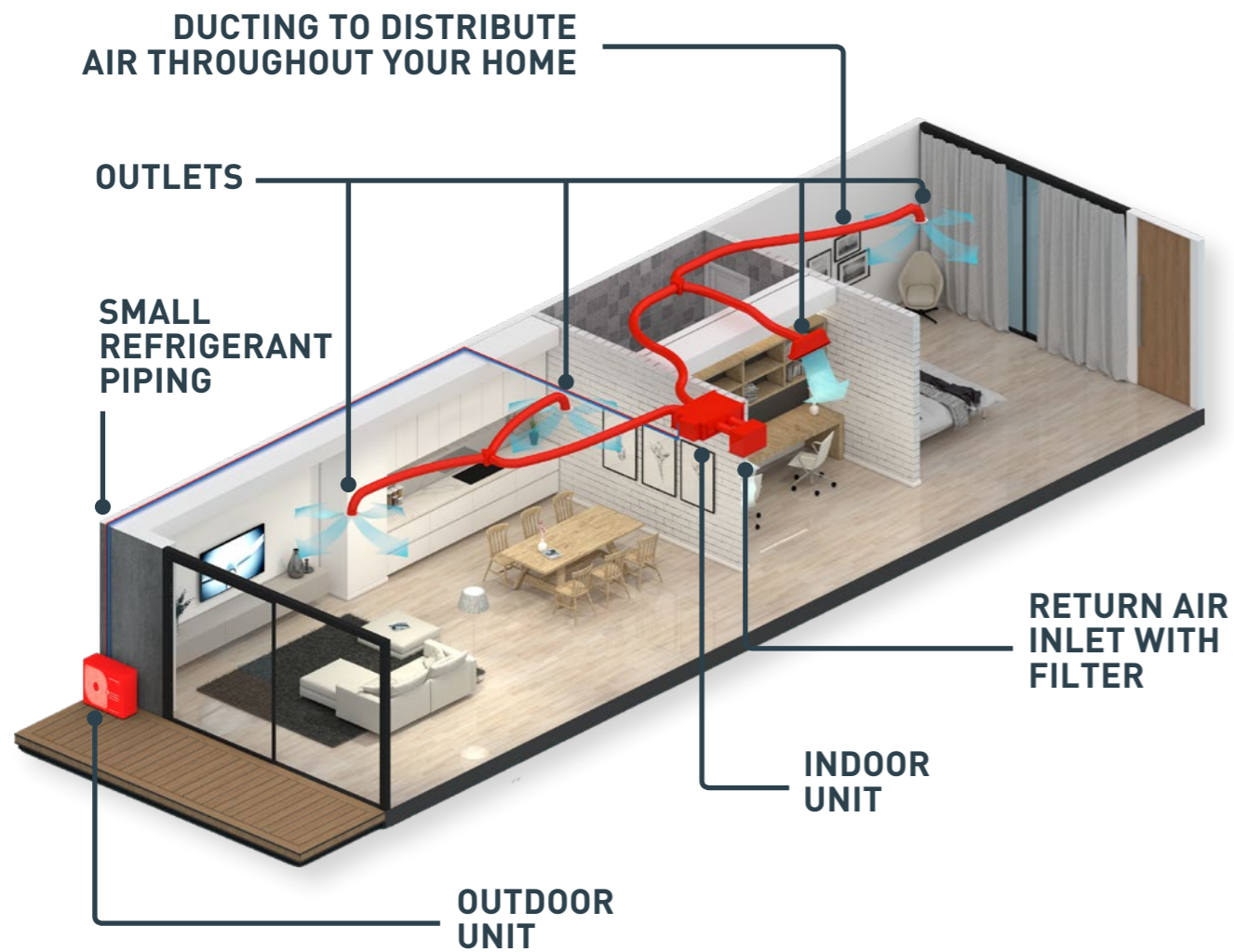


MHIAA Ducted Systems

Our powerful yet quiet reverse cycle ducted systems let you enjoy the comfort of air conditioning in every part of your home or office with one packaged solution. With a discreet, low profile design that can be completely concealed in your ceiling and a variety of capacities and control options available, our ducted systems offer a flexible solution for any new or existing home.

Mitsubishi Heavy Industries ducted systems include an indoor unit (fan coil), outdoor unit (condenser), a controller and may include an optional zoning system, while an installer will also incorporate insulated ducting, air outlets and a return air inlet with a filter. These components work in unison to offer a complete heating and cooling solution and ensure your comfort all year round.

All Mitsubishi Heavy Industries ducted systems come with a built-in drain pump, are reverse cycle and have undergone strict and rigorous testing and quality control measures to ensure they are of the highest standards and will withstand the tough Australian climate.



Our Technology

IMPROVED HEAT EXCHANGER

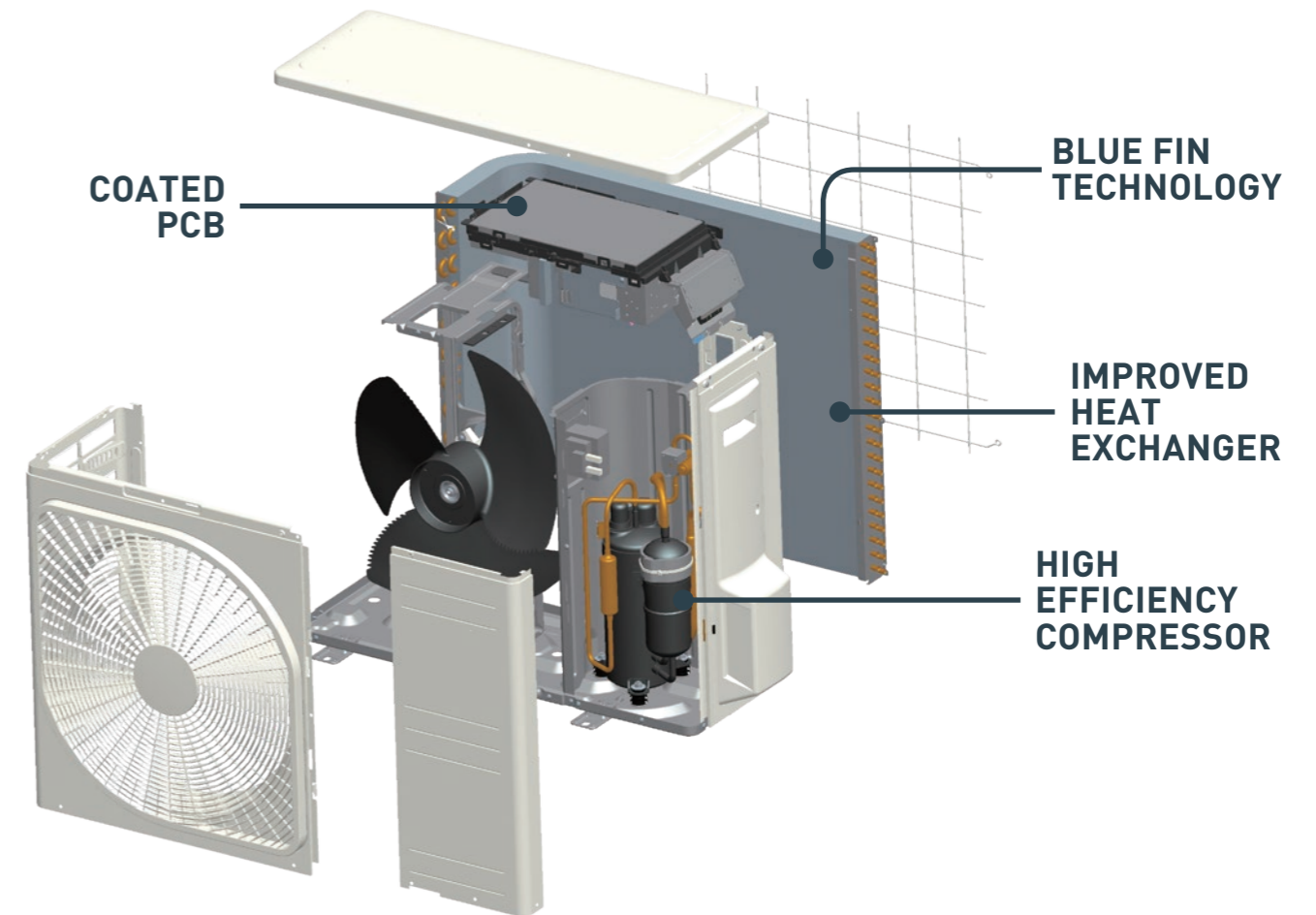
Our new and improved heat exchanger has been developed to improve refrigerant distribution and increase the systems effectiveness. The new design features a larger heat exchange area, boosting the unit's overall efficiency.

COATED PCB

To protect against humid weather a protective coating is applied to the circuit board in the outdoor unit, allowing it to withstand Australia's varying weather conditions and ensure the longevity of your system.

BLUE FIN TECHNOLOGY

Mitsubishi Heavy Industries outdoor units are coated with specially formulated layers that assist in preventing the hydrophilicity effect and assists in reducing the corrosion rate of the aluminium section from harsh Australian weather conditions.



HIGH EFFICIENCY COMPRESSOR

One of the key features that provides Mitsubishi Heavy Industries air conditioners with their powerful performance is our highly efficient compressor. Combined with a Neodymium motor that uses powerful, rare earth magnets, Mitsubishi Heavy Industries air conditioners can deliver a higher motor efficiency while producing much less operational noise.

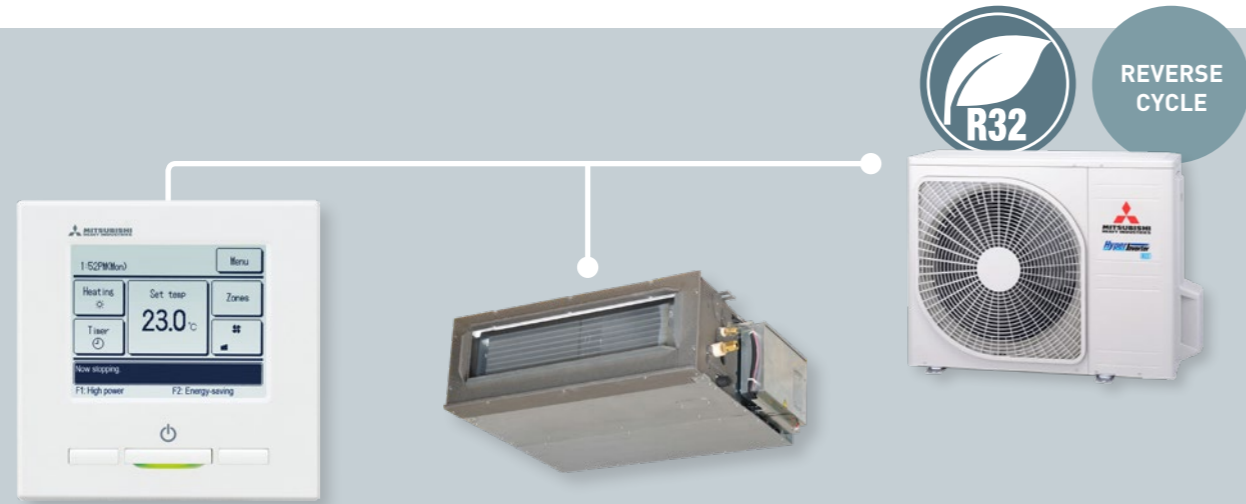
DC PAM INVERTER

The PAM control used in Mitsubishi Heavy Industries air conditioners helps minimise the loss of electricity and boost the efficiency by allowing the unit to reach the temperature quickly before slowing down the compressor. This allows the unit to save energy while maintaining a comfortable temperature in the room.

WIDE OPERATION RANGE

With our advanced technology and high quality components, Mitsubishi Heavy Industries air conditioners can operate in ambient outdoor temperatures as low as -20°C in heating mode and as high as $+50^{\circ}\text{C}$ in cooling mode. This permits the installation in areas where the temperature conditions can be considered extreme.

FDUM Series



*See pg. 11 for full list of features and functions

MEDIUM STATIC PRESSURE

SINGLE PHASE MODELS (5.0KW - 5.6KW)



5.0kW | 5.6kW

Our FDUM series of medium static ducted systems are quiet, compact and come in both 5.0kW and 5.6kW capacities. Incorporating a range of convenient and energy saving features and functions, the FDUM series is the perfect multi-room heating and cooling solution for smaller Aussie homes.

HYPER-INVERTER TECHNOLOGY

Our advanced hyper-inverter technology allows our ducted systems to reach the desired temperature quicker than ever before. Once the system has reached the set temperature it will ramp down and maintain this closely, switching on only when required - ensuring your comfort all year round and reducing energy consumption.

QUIET OPERATION

The FDUM series boasts a super quiet operation level of 26 dB (A) on low fan speed. Combined with the unit's Silent Mode, the FDUM is perfect for bedrooms and ensures a good night's sleep for you and your family.

SRC50-60ZSXA-W outdoor unit shown.

R32 REFRIGERANT

Due to its superior qualities, R32 refrigerant used in the FDUM series requires less energy to achieve the desired temperature and has nearly a 70% lower Global Warming Potential when compared to the R410A refrigerant.

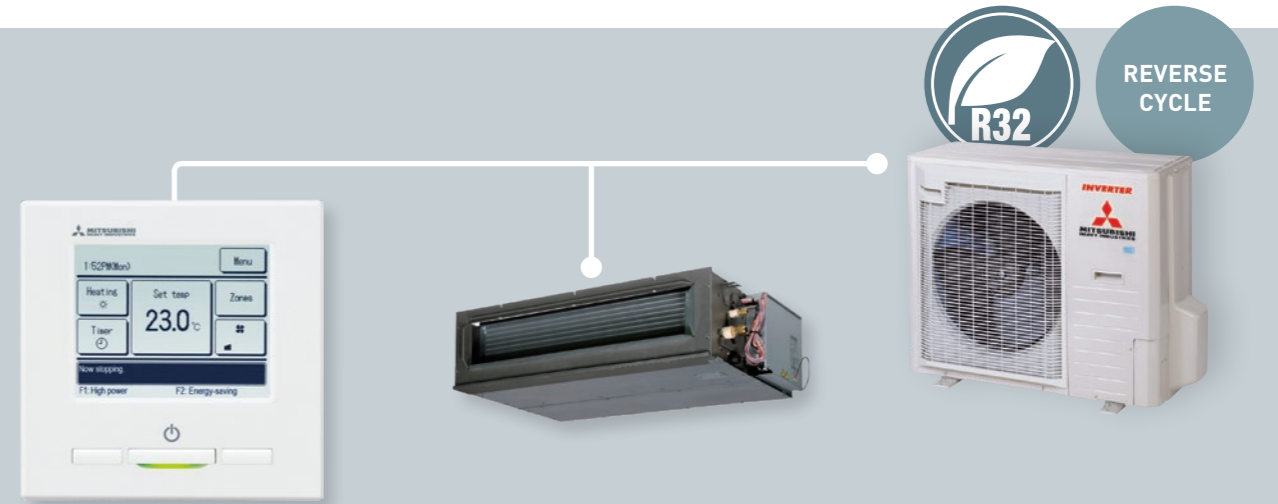
BUILT-IN DRAIN PUMP

With a built-in drain pump the FDUM series allows greater flexibility during installation, making it the perfect solution for applications with limited ceiling space.

OTHER CONTROL OPTIONS (SOLD SEPARATELY)



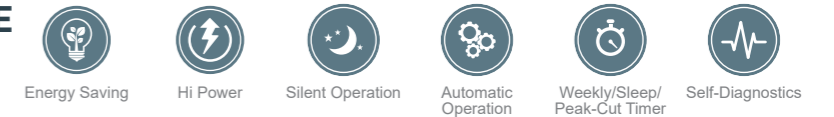
FDU Series



*See pg. 11 for full list of features and functions

MED/HIGH STATIC PRESSURE

SINGLE PHASE MODELS (7.1 KW - 14.0KW)
THREE PHASE MODELS (10.0KW - 14.0KW)



7.1kW | 10.0kW | 12.5kW | 14.0kW

Our FDU series of slimline ducted systems are a quiet and discreet solution for multiple rooms. Coming in a range of capacities ranging from 7.1kW up to 14kW and incorporating a range of convenient features and functions, the FDU series is the perfect heating and cooling solution for any sized Aussie home.

INCREASED ENERGY EFFICIENCY

With an improved heat exchanger in the outdoor unit, boosting refrigerant distribution throughout the system, coupled with our highly efficient DC fan motor within the indoor unit, the FDU series boasts industry leading energy efficiencies which means reduced running costs for your home.

QUIET OPERATION

Thanks to our highly efficient DC fan motor, the FDU series boasts some of the quietest operation levels on the market - with our 7.1kW unit achieving a market leading low of 25 dB (A) on low fan speed. Combined with the unit's Silent Mode, the FDU series ensures no interruptions to room acoustics and a good night's sleep for you and your family.

*R32 range is available only in 7.1kw and 10kW capacities. FDC100VNP-W outdoor unit shown.

SLIM LOW PROFILE DESIGN

With a slim, low-profile design measuring only 280mm in height, the FDU series offers the perfect solution for applications where ceiling space is limited.

BUILT-IN DRAIN PUMP

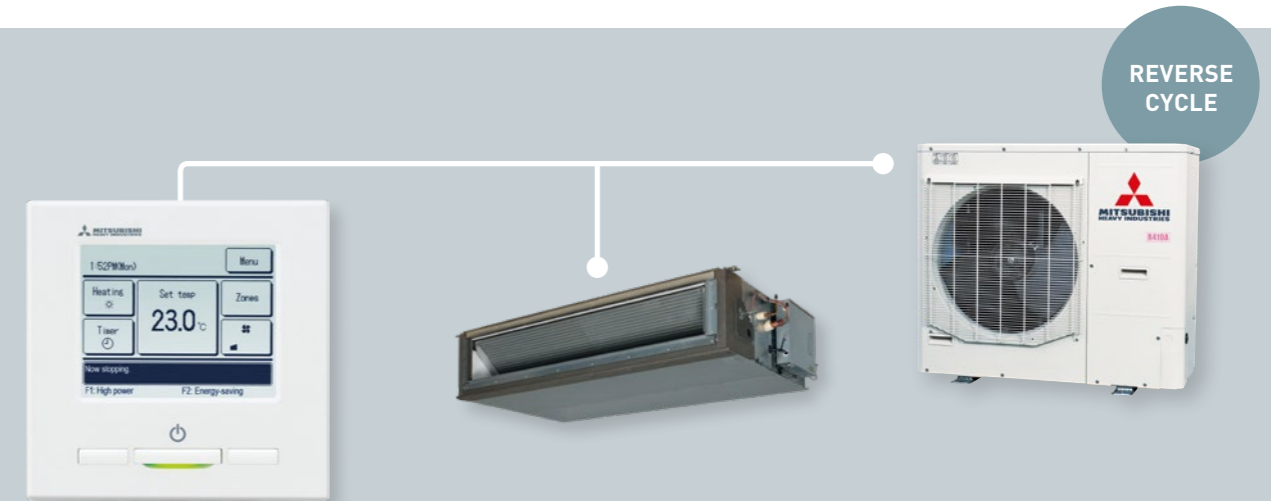
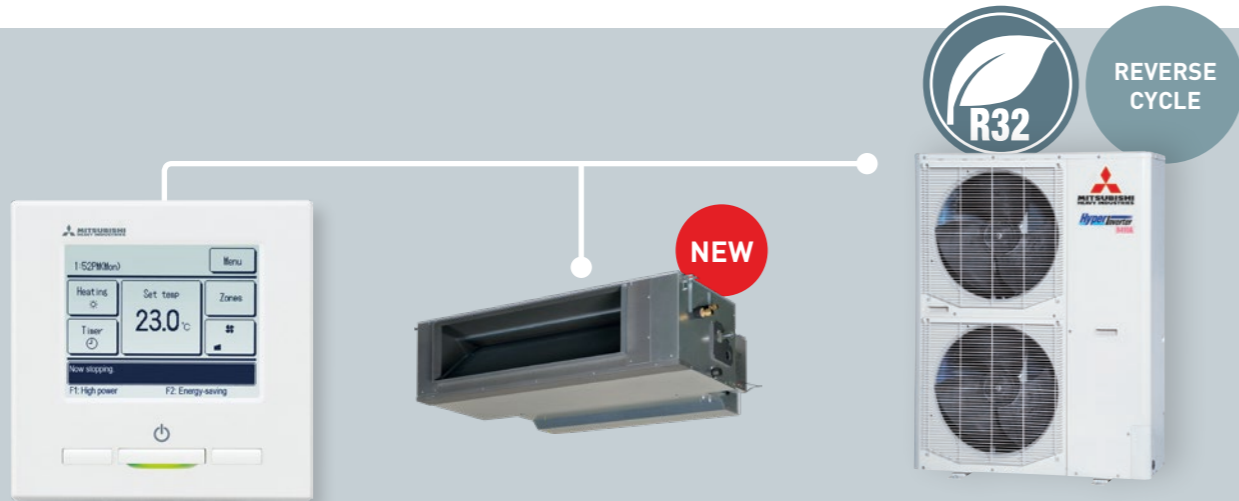
With a built-in drain pump the FDU series allows greater flexibility during installation, making it the perfect solution for applications with limited ceiling space.

OTHER CONTROL OPTIONS (SOLD SEPARATELY)



FDUA Series

KX Series

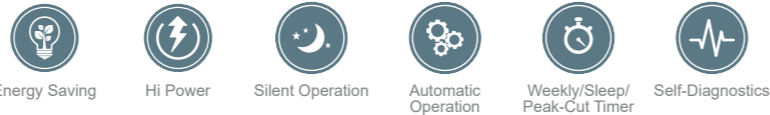


*See pg. 11 for full list of features and functions

*See pg. 11 for full list of features and functions

HIGH STATIC PRESSURE

SINGLE PHASE MODELS (10.0kW - 14.0kW)
THREE PHASE MODELS (10.0kW - 20.0kW)



HIGH STATIC PRESSURE

SINGLE PHASE MODELS (11.2kW - 15.5kW)
THREE PHASE MODELS (12.5kW - 28.0kW)



10.0kW | 12.5kW | 14.0kW | 16.0kW | 20.0kW

11.2kW | 12.5kW | 14.0 kW | 15.5kW | 22.4kW | 28.0kW

Our FDUA series of ducted systems are a quiet and discreet solution for multiple rooms. Coming in a range of capacities ranging from 10kW up to 20kW and incorporating a range of convenient features and functions, the FDUA is the perfect heating and cooling solution for any sized Aussie home.

Our KX series of ducted systems offer a durable and high performance heating and cooling solution. Coming in a range of capacities ranging from 11.2kW up to 28.0kW and incorporating VRF technology as well as a range of convenient features, KX compact series is the perfect heating and cooling solution for larger Aussie homes.

INCREASED ENERGY EFFICIENCY

With an improved heat exchanger in the outdoor unit, boosting refrigerant distribution throughout the system, coupled with our highly efficient DC fan motor and R32 refrigerant, the FDUA series boasts industry leading energy efficiencies which means reduced running costs for your home.

SPLITTABLE INDOOR UNIT

A NEW, unique design* allows the indoor unit to be separated into two components for easier handling during installation.

VRF TECHNOLOGY

Traditionally used in larger, commercial projects, the KX compact series incorporates VRF (Variable Refrigerant Flow) technology to deliver high performance.

COMPACT OUTDOOR UNIT

A compact outdoor unit offers additional flexibility with installation by allowing the outdoor unit to fit within smaller spaces.

QUIET OPERATION

Thanks to our highly efficient DC fan motor, the FDUA series boasts quiet operation levels. Combined with the unit's Silent Mode, the FDUA series ensures no interruptions to room acoustics and a good night's sleep for you and your family.

BUILT-IN DRAIN PUMP

With a built-in drain pump the FDUA allows greater flexibility during installation, making it the perfect solution for applications with limited ceiling space.

BLUE FIN™ TECHNOLOGY

A specially formulated layer applied to internal components helps reduce corrosion and protect the outdoor unit's internal aluminium parts from the harsh Australian weather conditions.

BUILT-IN DRAIN PUMP

With a built-in drain pump the KX series allows greater flexibility during installation, making it the perfect solution for applications with limited ceiling space.

**Splittable design applies to 14kW and 16kW models
*R32 range available in 10kW capacity.
FDCA140VNX outdoor unit shown.

OTHER CONTROL OPTIONS (SOLD SEPARATELY)



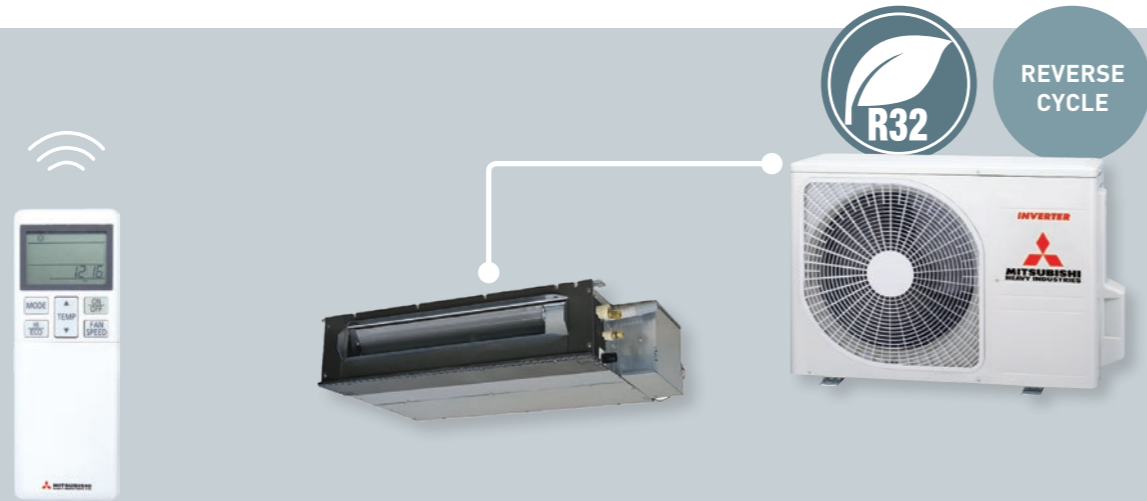
FDC112KXEN6 outdoor unit shown.
FDU224KXZE1 and FDU280KXZE1 do not include built-in drain pumps

Not compatible with Flexizone zoning solution.

OTHER CONTROL OPTIONS (SOLD SEPARATELY)



AKARI™ Series



*See pg. 11 for full list of features and functions

BULKHEAD SYSTEM

SINGLE PHASE MODELS (2.5KW - 3.5KW)



2.5kW | 3.5 kW

The Akari™ series of low profile bulkhead systems are designed to sit within your ceiling space and distribute air via discreet grilles. These compact units require no ducting and are perfect for renovated spaces and applications such as apartments where space is at a premium. They deliver a quiet, efficient and integrated heating and cooling solution.

SUPER SLIM LOW PROFILE DESIGN

With a super slim, low-profile design measuring only 200mm in height, the Akari™ series offers the perfect solution for apartments or applications where ceiling space is limited and the indoor unit needs to be fitted in a concealed area.

BUILT-IN DRAIN PUMP

Capitalising on Mitsubishi Heavy Industries extensive experience in drain pump technology, the Akari™ series features a built-in condensation drain pump for easier installation.

SRC25-35ZSA-W outdoor unit shown.

SUPER QUIET OPERATION

The Akari™ series offers some of the quietest operation levels on the market achieving 24 dB(A) on low fan mode - perfect for bedrooms.

HI POWER OPERATION

Provides 15mins of boosted power allowing you to quickly heat or cool your home before returning to normal operation. Perfect for when you first turn on the unit.

OTHER CONTROL OPTIONS (SOLD SEPARATELY)



Features and Functions

	FUNCTION	DESCRIPTION	FDU	FDUA	FDUM	KX	AKARI
AIRFLOW	Automatic Fan Speed	On-board microcomputer continuously monitors the room's air temperature and adjusts the air flow automatically.	●	●	●	●	
	Air Filter	The air filter in the unit traps and removes airborne dust particles and other allergens to provide you with a clean air function.					●
	Filter Sign	Alerts you to when the filter needs to be cleaned.	●	●	●	●	●
	Outside Air Intake	Provides clean fresh air into the room through the external air intake, avoiding the constant recycling of internal air.	●	●	●	●	
	Self-Clean Operation	Dries the indoor unit components by running the fan on ultra-low mode, preventing the growth of mould. Designed to be run regularly after use.					●
ENERGY SAVING	Set Temperature Auto Return*	Allows you to program a preferred set temperature that the unit will return to each time it is operated.	●	●	●	●	
	Home Leave Operation*	Will maintain a moderate indoor temperature, avoiding extremely hot or cool temperatures. Perfect for when you're away on holidays.	●	●	●	●	
	Eco Operation	The unit operates at a slightly reduced capacity to reduce power consumption while maintaining a comfortable room temperature.	●	●	●	●	●
COMFORT & CONVENIENCE	Hi Power Operation*	Provides 15mins of boosted power allowing you to quickly heat or cool your home before returning to normal operation. Perfect for when you first turn on the unit.	●	●	●	●	●
	Dry Operation	Reduces humidity by removing moisture from the air without affecting the indoor temperature.	●	●	●	●	●
	Silent Operation	Allows you to program periods where the unit will operate with reduced noise levels, perfect for night time and an uninterrupted sleep.	●	●	●	●	●
	Automatic Operation	Automatically selects the required heating or cooling function based on the current room conditions.	●	●	●	●	●
TIMERS	Function Switch*	From the six available functions on the unit, this function allows you to set two functions to operate automatically. (Note: this is not available when a centralised remote control is connected).	●	●	●	●	
	On/Off Timer	Set your unit to turn on and off once, at specific times, within a 24 hour period. Unit will then turn on and off at the specified times every day.	●	●	●	●	●
	Weekly Timer	Set your unit to turn on and off automatically on a weekly basis to suit your usual room usage on each day.	●	●	●	●	●
	Sleep Timer	This function allows you to set a pre-determined amount of time between 30 and 240 mins that your unit will operate for before switching off.	●	●	●	●	●
	Night Setback	Designed for the colder seasons, this function ensures the room temperature is kept at around 10°C, even while unoccupied.					●
MAINTENANCE & PREVENTION	Peak-Cut Timer*	This function lets you to preset the capacity limit during certain periods of the day, minimising energy consumption during peak billing times, thus reducing operation costs.	●	●	●	●	
	Child Lock	Locks the remote control to prevent little ones from changing functions and other settings. Useful for families with curious young children.					●
	Self-Diagnostics	Microcomputer automatically runs a diagnostic of the system in the event of a malfunction. This enables your authorised dealer to isolate and repair any issues.	●	●	●	●	●
	Improved Serviceability	The fan unit (comprised of impeller and motor) is easily accessible from either the side or bottom of the unit and can be slid out for easy maintenance. (Not applicable to all models)	●	●	●	●	
	Built-in Drain Pump	The built-in drain pump, which includes a lift of 600 or 850mm, allows greater flexibility with installation, offering a great solution for applications with limited space.	●	●	●	●	●
	Auto Restart Function	Automatically restarts the unit in the same operating mode if it suffers a loss of power. (Disabled for some models by default)	●	●	●	●	●

*Functions can only be enabled using RC-EXZ3A wired controller. FDU224KXZE1 and FDU280KXZE1 do not include built-in drain pumps. Drain pump assembly can be purchased from MRE spare parts. On/off timer, weekly timer and sleep timer are disabled if Wi-Fi accessory connected. Similar functions can be set via the AC Cloud application.

Control Options



WIRED CONTROLLER

- Large, 3.8" backlit LCD touch screen with easy to navigate menu.
- Control the set temperature, operation mode and fan speed.
- Access timer and scheduling functions.
- Access additional features including Home Leave mode, Silent Mode, High Power mode plus many more.
- Multi-language display (6 languages)

*RC-EXZ3A controller shown.
 **Requires SC-BIKN2-E kit (sold separately) for use with bulkhead systems.
 ***Function limitations may apply.



WIRELESS CONTROLLER

- LCD Display.
- Control the set temperature, operation mode and fan speed.
- Access timer and scheduling functions.

*Wireless controller from RCN-KIT4-E2 shown. Standard with bulkhead systems.
 **Requires RCN-KIT4-E2 wireless kit (sold separately) for use with ducted systems.
 ***Function limitations may apply.



WI-FI

- Control your system using your smart device (iPhone, iPad, Android) or internet browser via AC Cloud Control app.
- Control the set temperature, operation mode and fan speed remotely.
- Control your system using Voice Commands via Google or Amazon smart speaker devices.
- Set up 'favourite' scenes and activate them with a single tap.
- Set your system to respond to the weather, you arriving home, calendar events + more**.
- Receive instant notifications and email updates and create usage logs**

*Requires MH-RC-WIFI-1B Wi-Fi adaptor (sold separately) for use with ducted systems.
 **Requires MH-AC-WIFI-1 Wi-Fi adaptor (sold separately) for use with bulkhead systems.
 **In conjunction with IFTTT and other apps (must be downloaded separately).
 Some additional functions including zone control are not available via AC Cloud Control app.
 In some applications, a 12V DC external power supply may be required for MH-RC-WI-FI-1B.



AC Cloud Control

Controlling your device with AC Cloud Control app requires aforementioned Wi-Fi adaptors and working internet or Wi-Fi connection. Google Account required for use with Google devices. Features and services may change without notice. Google is a trademark of Google LLC.

FlexiZone Zoning Solution

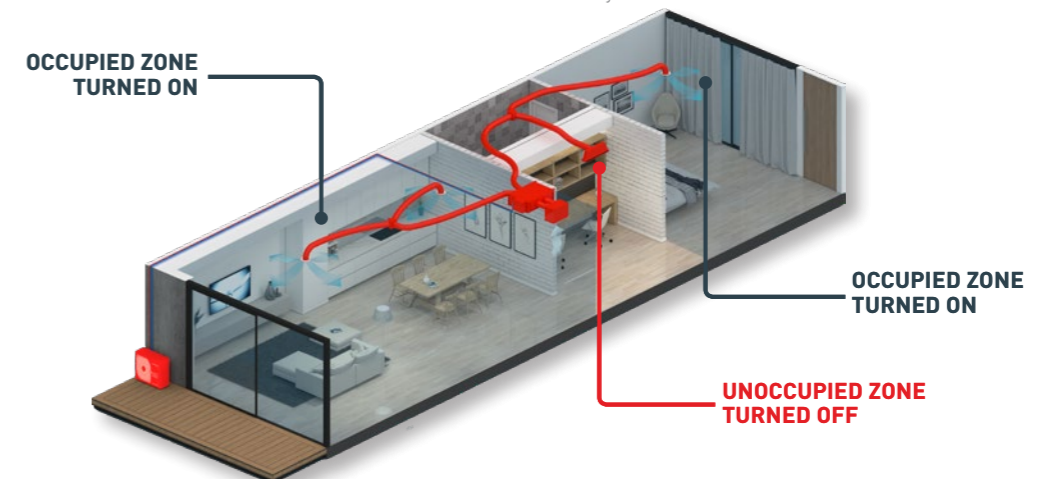


WIRED ZONE CONTROLLER

- Individual on/off control of up to 4 zones when used in conjunction with MHIAA's zoning solution*.
- Large, 3.8" backlit LCD touch screen with easy to navigate menu.
- Control the operation mode and set temperature of your system.
- Access timer and scheduling functions.
- Access additional features including Home Leave mode, Silent Mode and High Power mode.
- Multi-language display (6 languages)

*RC-EXZ3A controller shown.
 **MHIAA zoning solution includes relay board MH-4ZRM (sold separately)
 ***240V/24V transformer to be sourced locally

FLEXIZONE



Airzone Zoning Solution

Easily integrated into any MHIAA ducted system the advanced Airzone zoning solution offers the ultimate level of comfort by providing complete temperature control over each individual zone of your home or office.

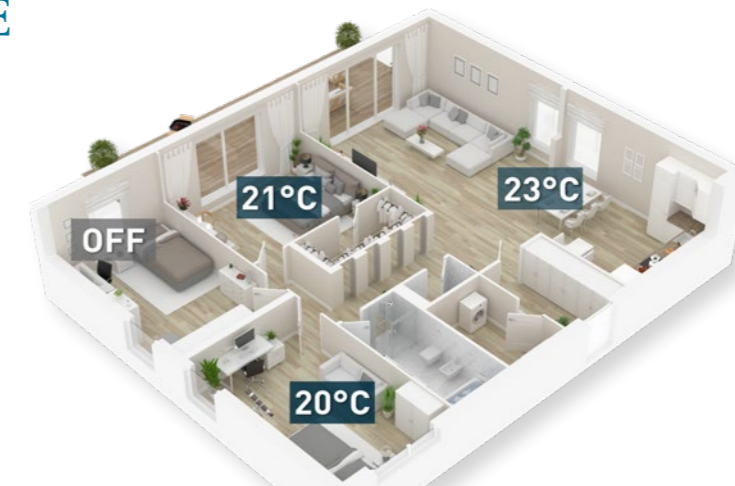


AIRZONE ZONE CONTROLLER

- Individual temperature and on/off control of up to 10 zones when used in conjunction with Airzone zoning solution*.
- Control the set temperature, operation mode and fan speed.
- Turn unoccupied zones off to save energy.
- Control your system using your smart device (iPhone, iPad, Android) or internet browser via easy to use Airzone app.
- Access timer and scheduling functions.

*Blueface controller shown (AZVAFBLUEFACECB)
 **Airzone zoning solution includes motorised dampers, Airzone control board and webserver (sold separately)

AIRZONE



PRODUCT SPECIFICATIONS
FDUM & FDU SERIES

CAPACITY		5.0 KW	5.6 KW	7.1 KW	10.0KW	10.0 KW	10.0 KW	12.5 KW	14.0 KW	14.0 KW	10.0 KW	12.5 KW	14.0 KW	10.0 KW	12.5 KW	14.0 KW	14.0 KW	14.0 KW	
Set		FDUM60ZSXA-W	FDUM60ZSA-W	FDU71ANX-W	FDU100VNP-W	FDU100VNP-W	FDU100VNP-W	FDU125AVN-W	FDU140AVN-W	FDU140AVN-W	FDU100VSA-W	FDU125AVN-W	FDU140VSA-W	FDU100VSA-W	FDU125VSA-W	FDU140VSA-W	FDU125VSA-W	FDU140VSA-W	FDU140VSA-W
Indoor		FDUM60VH	FDUM60VH	FDU71VH	FDU100VH	FDU100VH	FDU100VH	FDU125VH	FDU140VH	FDU140VH	FDU100VH	FDU125VH	FDU140VH	FDU100VH	FDU125VH	FDU140VH	FDU125VH	FDU140VH	FDU140VH
Outdoor		SRC60ZSXA-W	SRC60ZSA-W	FDCAT1VX-W	FDCAT1VNP-W	FDCAT1VNP-W	FDCAT1VNP-W	FDCAT125VX-W	FDCAT140VX-W	FDCAT140VX-W	FDCAT100VSA-W	FDCAT125VX-W	FDCAT140VX-W	FDCAT100VSA-W	FDCAT125VX-W	FDCAT140VX-W	FDCAT125VX-W	FDCAT140VX-W	FDCAT140VX-W
Power Source (Outdoor Unit)		1 Phase 240V 50Hz																	
Nominal Capacity Range	Cooling T1	5.0 (1.1-5.6)																	
	Heating H1	7.1 (3.2-8.0)																	
	Heating H2	10 (2.1-10.2)																	
Power Consumption	Cooling T1	5.4 (0.6-6.3)																	
	Heating H1	8.0 (3.6-9.0)																	
	Heating H2	10 (1.7-10.4)																	
Max Power Consumption	Cooling T1	4.80																	
	Heating H1	7.40																	
	Heating H2	7.60																	
Running Current	Cooling T1	1.51																	
	Heating H1	1.77																	
	Heating H2	2.45																	
Inrush Current, Maximum Current	Cooling T1	2.90																	
	Heating H1	4.11																	
	Heating H2	4.46																	
EER	Cooling T1	6.9																	
	Heating H1	7.8																	
	Heating H2	10.4																	
COP	Cooling T1	5.15																	
	Heating H1	5.19																	
	Heating H2	5.29																	
Sound Power Level (US C9612)	Cooling T1	3.31																	
	Heating H1	3.39																	
	Heating H2	4.01																	
Sound Pressure Level (US C9612)	Cooling T1	63																	
	Heating H1	66																	
	Heating H2	66																	
External Dimensions (HXWD)	Indoor (Cooling)	P-Hi:37 Hi:32 Me:29 Lo:26																	
	Indoor (Heating)	P-Hi:38 Hi:33 Me:29 Lo:25																	
	Outdoor	280x750x635																	
Net Weight	Indoor	54																	
	Outdoor	34																	
	Outdoor	45																	
Supply Air Connection	Indoor	170x680																	
	Outdoor	200x860																	
	Outdoor	200x860																	
External Static Pressure (Max)	Indoor	100																	
	Outdoor	200																	
	Outdoor	200																	
Airflow	Indoor (Cooling)	P-Hi: 217 Hi: 167 Me: 150 Lo: 133																	
	Indoor (Heating)	P-Hi: 400 Hi: 316 Me: 250 Lo: 166																	
	Outdoor	280x950x635																	
Refrigerant (Type, Amount, Pre-Charge Length)	Indoor	R32 1.3																	
	Outdoor	R32 2.75																	
	Outdoor	R32 1.7																	
Installation Data	Refrigerant Piping	Ø6.35																	
	Connection Method	Ø12.7																	
	Maximum Pipe Length (One Way)	30																	
Controller	Motion Sensor (Optional)	LB-KIT																	
	Demand response (AS4755)	Yes																	
	Outdoor air temperature (upper, lower limits)	-15 to +46																	

*Operation data has been gathered in accordance with AS/NZS 3823 standards. For testing conditions please refer to Page 17.

**Reducer set Ø9.52 -> Ø6.35 is included in the outdoor unit as accessory for FDC100VNP-W

PRODUCT SPECIFICATIONS
FDUA SERIES

CAPACITY		10.0 KW	10.0KW	12.5KW	14.0KW	10KW	12.5KW	14.0KW	10KW	12.5KW	14.0KW	16.0KW	20.0KW
Set		FDUA100VNP-W	FDUA100VNA-W	FDUA125AVN-W	FDUA140VX-W	FDUA100VSA-W	FDUA125VX-W	FDUA140VX-W	FDUA100VSA-W	FDUA125VX-W	FDUA140VSA-W	FDUA160VSA-W	FDUA200VSA-W
Indoor		FDUA100VH	FDUA100VH	FDUA125VH	FDUA140VH	FDUA100VH	FDUA125VH	FDUA140VH	FDUA100VH	FDUA125VH	FDUA140VH	FDUA160VH	FDUA200VH
Outdoor		FDC100VNP-W	FDCAT100VNA-W	FDCAT125VX-W	FDCAT140VX-W	FDCAT100VSA-W	FDCAT125VX-W	FDCAT140VX-W	FDCAT100VSA-W	FDCAT125VX-W	FDCAT140VSA-W	FDCAT160VSA	FDCAT200VSA
Power Source (Outdoor Unit)		1 Phase 240V 50Hz											
Nominal Capacity Range	Cooling T1	10 (2.1-10.2)											
	Heating H1	10 (1.7-10.4)											
	Heating H2	11.2 (4.0-18.0)											
Power Consumption	Cooling T1	7.60											
	Heating H1	2.99											
	Heating H2	2.57											
Max Power Consumption	Cooling T1	3.05											
	Heating H1	3.68											
	Heating H2	4.19											
Running Current	Cooling T1	4.46											
	Heating H1	14.7											
	Heating H2	17.0											
Inrush Current, Maximum Current	Cooling T1	5.19											
	Heating H1	5.26											
	Heating H2	5.30											
EER	Cooling T1	3.34											
	Heating H1	3.89											
	Heating H2	3.80											
Sound Power Level (US C9612)	Cooling T1	68											
	Heating H1	70											
	Heating H2	73											
Sound Pressure Level (US C9612)	Indoor	P-Hi:43 Hi:42 Me:40 Lo:37											
	Outdoor	P-Hi:45 Hi:43 Me:41 Lo:37											
	Outdoor	P-Hi:44 Hi:38 Me:36 Lo:30											
External Dimensions (HXWD)	Indoor	398x1150x650											
	Outdoor	750 x 880(+88) x 340											
	Outdoor	845x970x370											
Net Weight	Indoor	52											
	Outdoor	77											
	Outdoor	106											
Supply Air Connection	Indoor	348x898											
	Outdoor	348x898											
	Outdoor	298x1064											
External Static Pressure (Max)	Indoor	200											
	Outdoor	200											
	Outdoor	2 X Ø400											
Airflow	Indoor (Cooling)	P-Hi:650 Hi:600 Me:550 Lo:483											
	Indoor (Heating)	P-Hi:717 Hi:650 Me:600 Lo:500											
	Outdoor	P-Hi:600 Hi:533 Me:467 Lo:367											
Refrigerant (Type, Amount, Pre-Charge Length)	Indoor	R32 1.7											
	Outdoor	R32 3.3											
	Outdoor	R32 4.5											
Installation Data	Refrigerant Piping	Ø6.35**											
	Connection Method	Ø15.88											
	Maximum Pipe Length (One Way)	30											
Controller	Motion Sensor (Optional)	LB-KIT											
	Demand response (AS4755)	Yes											
	Outdoor air temperature (upper, lower limits)	-15 to +46											

*Operation data has been gathered in accordance with AS/NZS 3823 standards. For testing conditions please refer to Page 17.

**Reducer set Ø9.52 -> Ø6.35 is included in the outdoor unit as accessory for FDC100VNP-W

PRODUCT SPECIFICATIONS KX SERIES

CAPACITY		11.2 kW	14.0kW	16.0kW	14.0kW	16.0kW	14.0kW	16.0kW	22.4kW	28.0kW
Indoor		FDU112KXE6F	FDU140KXE6F	FDU160KXE6F	FDU140KXE6F	FDU160KXE6F	FDU140KXE6F	FDU160KXE6F	FDU224KXE1	FDU280KXE1
Outdoor		FDC112KXEN6	FDC140KXEN6	FDC156KXEN6	FDC140KXE6E	FDC156KXE6E	FDC140KXE6E	FDC156KXE6E	FDC224KXPE1	FDC280KXPE1
Power Source (Outdoor Unit)		1 Phase 240V 50Hz		3 Phase 380-415V 50Hz		3 Phase 380-415V 50Hz				
Nominal Capacity Range	Cooling T1	11.2	14.0	16.0	14.0	16.0	14.0	15.5	22.4	28.0
	Heating H1	12.5	16.0	18.0	16.0	18.0	16.0	16.3	22.4	28.0
Power Consumption	Cooling T1	2.80	4.17	4.71	4.17	4.71	4.17	4.71	5.6	7.87
	Heating H1	2.89	4.31	4.38	4.31	4.38	4.31	4.38	4.8	6.47
Running Current	Cooling T1	13.5-12.4	20.6-18.9	23.3-21.3	20.6-18.9	23.3-21.3	20.6-18.9	23.3-21.3	9.2-8.5	12.9-11.8
	Heating H1	14.10-12.9	21.5-19.7	21.9-20.1	21.5-19.7	21.9-20.1	21.5-19.7	21.9-20.1	7.9-7.3	10.6-9.7
Inrush Current, Maximum Current	Cooling T1	28	28	28	28	28	28	14	21	22
	Heating H1									
Sound Pressure Level (JS C9612)	Indoor	P-Hi: 44 Hi:38 Mer: 36 Lo:30	P-Hi: 45 Hi:40 Mer: 34 Lo:29	P-Hi: 47 Hi:40 Mer: 35 Lo:30	P-Hi: 45 Hi:40 Mer: 34 Lo:29	P-Hi: 47 Hi:40 Mer: 35 Lo:30	P-Hi: 45 Hi:40 Mer: 34 Lo:29	P-Hi: 47 Hi:40 Mer: 35 Lo:30	P-Hi: 47 Hi:40 Mer: 35 Lo:30	P-Hi:47 Hi:40 Mer:35 Lo:30
	Outdoor									
External Dimensions (HXWxD)	Indoor	280 x 1,370 x 740	280 x 1,370 x 740	280 x 1,370 x 740	280 x 1,370 x 740	280 x 1,370 x 740	280 x 1,370 x 740	280 x 1,370 x 740	360 x 1,570 x 830	360 x 1,570 x 830
	Outdoor	45x970x370	45x970x370	45x970x370	45x970x370	45x970x370	45x970x370	45x970x370	1505x970x370	1505x970x370
Net Weight	Indoor	54	54	54	54	54	54	54	92	92
	Outdoor	85	85	85	85	85	85	85	165	165
Supply Air Connection	Indoor	170 x 1200	170 x 1200	170 x 1200	170 x 1200	170 x 1200	170 x 1200	170 x 1200	250 x 1450	250 x 1450
	Outdoor	235 x 1280	235 x 1280	235 x 1280	235 x 1280	235 x 1280	235 x 1280	235 x 1280	250 x 1450	250 x 1450
Return Air Connection	Indoor	200	200	200	200	200	200	200	200	200
	Outdoor									
External Static Pressure (Max)	Indoor	P-Hi:600 Hi:466.66 Me:416.66 Lo:316.66	P-Hi:650 Hi:533.33 Me:433.33 Lo:333.33	P-Hi:800 Hi:583.33 Me:466.66 Lo:366.66	P-Hi:650 Hi:533.33 Me:433.33 Lo:333.33	P-Hi:800 Hi:583.33 Me:466.66 Lo:366.66	P-Hi:650 Hi:533.33 Me:433.33 Lo:333.33	P-Hi:800 Hi:583.33 Me:466.66 Lo:366.66	P-Hi:1333 Hi:1200 Me:1067 Lo:933	P-Hi:1333 Hi:1200 Me:1067 Lo:933
	Outdoor									
Refrigerant (Type, Amount, Pre-charge Length)	Quantity	(R410A) 5	(R410A) 5	(R410A) 5	(R410A) 5	(R410A) 5	(R410A) 5	(R410A) 5	(R410A) 8.9	(R410A) 8.9
	Pre-Charged To Pipe Length	30**	30**	30**	30**	30**	30**	30**	0.5**	0.5**
Refrigerant Piping	Liquid Line	Ø9.52	Ø9.52	Ø9.52	Ø9.52	Ø9.52	Ø9.52	Ø9.52	Ø9.52	Ø9.52
	Gas Line	Ø15.88	Ø15.88	Ø15.88	Ø15.88	Ø15.88	Ø15.88	Ø15.88	Ø19.05	Ø22.22
Installation Data	Connection Method	Flare Connection								
	Maximum Pipe Length (One Way)	50	50	50	50	50	50	50	90	90
Controller	Max vertical height diff. between O.U. and I.U.	30 (O.U. above I.U.) / 15 (O.U. below I.U.)								
		RC-E5, RC-EXZ3A, RCH-E3 or RCN-KIT4-E2								
Demand response (AS4755)	Outdoor air temperature (upper, lower limits)	No	No	No	No	No	No	No	No	No
		-15 to 43	-15 to 43	-15 to 43	-15 to 43	-15 to 43	-15 to 43	-15 to 43	-15 to 50	-15 to 50
Cooling		-25 to 15	-25 to 15	-25 to 15	-25 to 15	-25 to 15	-25 to 15	-25 to 15	-20 to 20	-20 to 20

*Operation data has been gathered in accordance with AS/NZS 3823 standards. For testing conditions please refer to Page 17.

**Please refer to E-solution software or technical manual for additional refrigerant requirements.

PRODUCT SPECIFICATIONS AKARI™ SERIES

CAPACITY		2.5kW	2.5kW	3.5kW
Indoor		SRR25ZS-W	SRR25ZS-W	SRR35ZS-W
Outdoor		SRC25ZSA-W	SRC25ZSA-W	SRC35ZSA-W
Power Source (Outdoor Unit)		1 Phase 240V 50Hz		
Nominal Capacity (Range)	Cooling T1	2.5 (0.9-3.4)	2.5 (0.9-3.4)	3.5 (0.9-4.1)
	Heating H1	3.4 (0.9-4.8)	3.4 (0.9-4.8)	4.2 (1.0-5.2)
Power Consumption	Heating H2	3.55	3.55	4.1
	Cooling T1	0.56 (0.20-0.90)	0.56 (0.20-0.90)	0.93 (0.19-1.26)
Maximum Power Consumption	Heating H1	0.75 (0.20-1.42)	0.75 (0.20-1.42)	1.01 (0.20-1.45)
		1.65	1.65	1.65
Running Current	Cooling T1	2.7	2.7	4.2
	Heating H1	3.5	3.5	4.5
Inrush Current, Maximum Current		3.5-9.0	3.5-9.0	4.5-9.0
		4.46	4.46	4.16
EER		60	60	62
		37-33-30-24	37-33-30-24	38-34-31-25
COP		47	47	50
		200x750(+120)x500	200x750(+120)x500	200x750(+120)x500
Sound Power Level (JIS C9612)	Indoor	540x780(+62)x290	540x780(+62)x290	540x780(+62)x290
	Outdoor			
Sound Pressure Level (JIS C9612)	Indoor			
	Outdoor			
External dimensions (HXWxD)	Hot	★★★★ (3.5)	★★★★ (3.5)	★★★★ (3.5)
	Average	★★★★ (3.5)	★★★★ (3.5)	★★★★ (3)
Energy Label (GEMS 2019)	Cold	★★★★ (3)	★★★★ (3)	★★★★ (2.5)
		★★★★ (3)	★★★★ (3)	★★★★ (2.5)
Net weight	Indoor	20.5	20.5	20.5
	Outdoor	34.5	34.5	34.5
Airflow	Cooling (Indoor)	P-Hi:158 Hi:133 Me:108 Lo:75	P-Hi:158 Hi:133 Me:108 Lo:75	P-Hi:167 Hi:142 Me:117 Lo:83
	Heating (Indoor)	P-Hi:167 Hi:150 Me:133 Lo:100	P-Hi:167 Hi:150 Me:133 Lo:100	P-Hi:175 Hi:158 Me:142 Lo:108
Installation Data	Refrigerant (Type, Amount, Pre-charge Length)	(R32) 0.78	(R32) 0.78	(R32) 0.78
	Refrigerant Piping	15	15	15
Connection Method	Liquid line	Ø6.35	Ø6.35	Ø6.35
	Gas line	Ø9.52	Ø9.52	Ø9.52
Maximum Pipe Length (One Way)		Flare connection		
		20	20	20
Standard accessories	Max Vertical Height Diff. Between O.U. and I.U.	10 (O.U. above I.U.) / 10 (O.U. below I.U.)		
		Polypropylene Net x1		
Optional parts		Interface kit (SC-BIKN2-E) / Wi-Fi Kit		
		Yes		
Demand Response (AS4755)	Outdoor air temperature (upper, lower limits)	-15 to 46	-15 to 46	-15 to 46
		-15 to 24	-15 to 24	-15 to 24
Item	Indoor Air Temperature	Outdoor Air Temperature	Standards	
	DB	WB	DB	WB
Operation	27°C	19°C	35°C	24°C
	20°C	7°C	7°C	6°C
Cooling				
Heating				

(1) The data is measured at the conditions mentioned in the table to the left.

(2) The air conditioner is manufactured and tested in conformity with the AS/NZS.

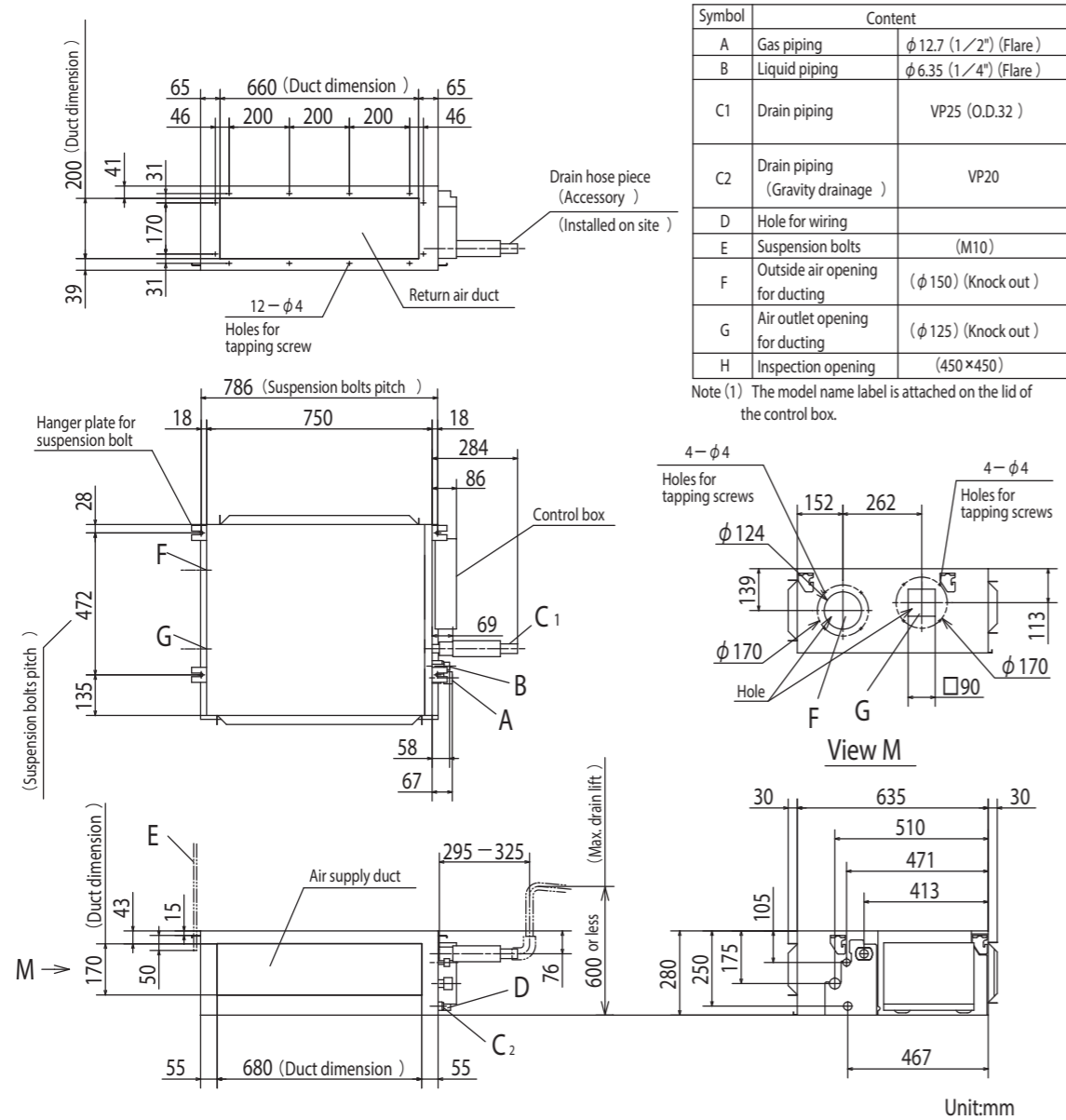
(3) Sound level indicates the value in an anechoic chamber. During operation these values are somewhat higher due to ambient conditions.

(4) Select the breaker size according to applicable national standard.

(5) The operation data indicates when the air-conditioner is operated at 240V 50Hz.

FDUM Series

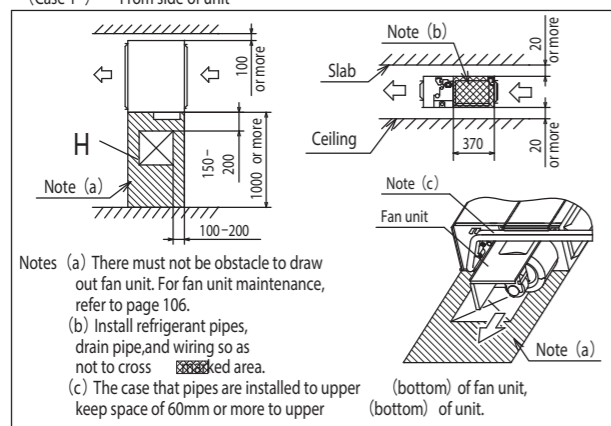
FDUM50VH



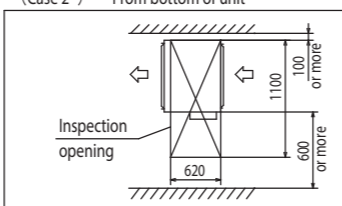
Space for installation and service

Select either of two cases to keep space for installation and services.

(Case 1) From side of unit

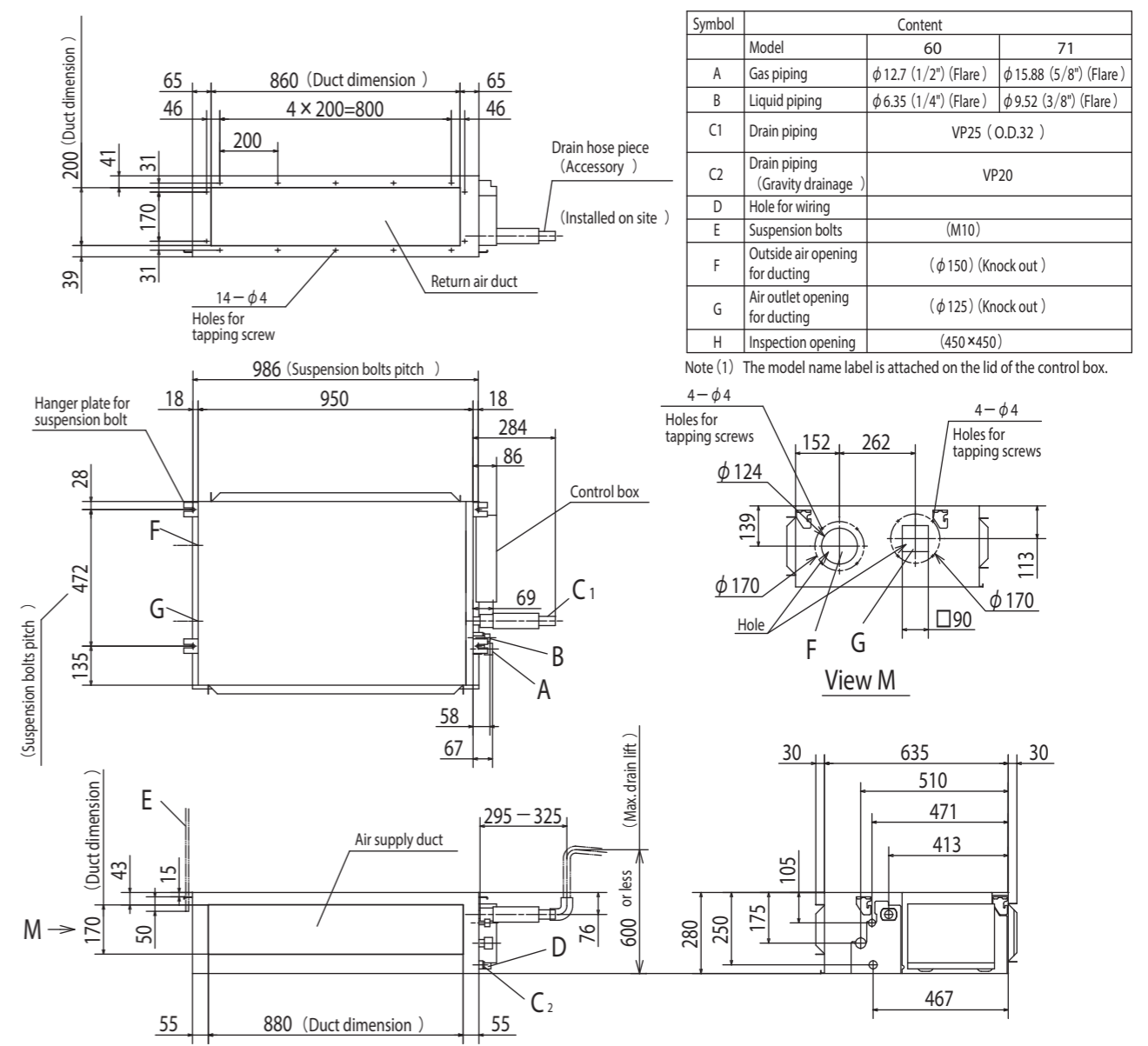


(Case 2) From bottom of unit



FDUM Series

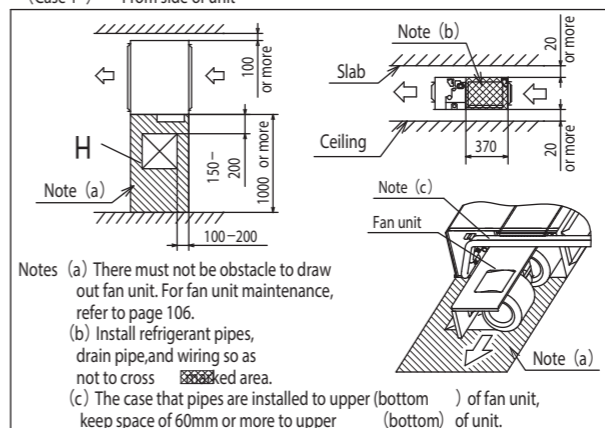
FDUM60VH



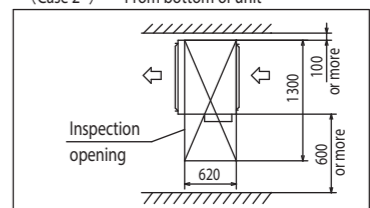
Space for installation and service

Select either of two cases to keep space for installation and services.

(Case 1) From side of unit

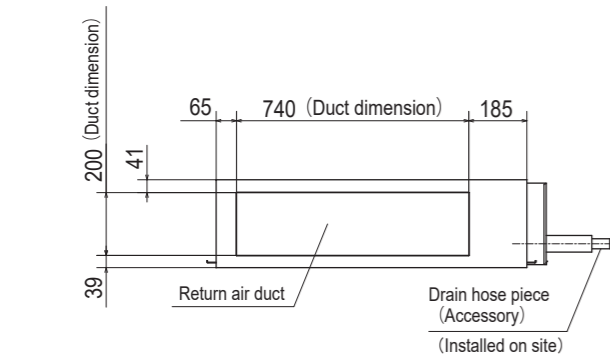


(Case 2) From bottom of unit

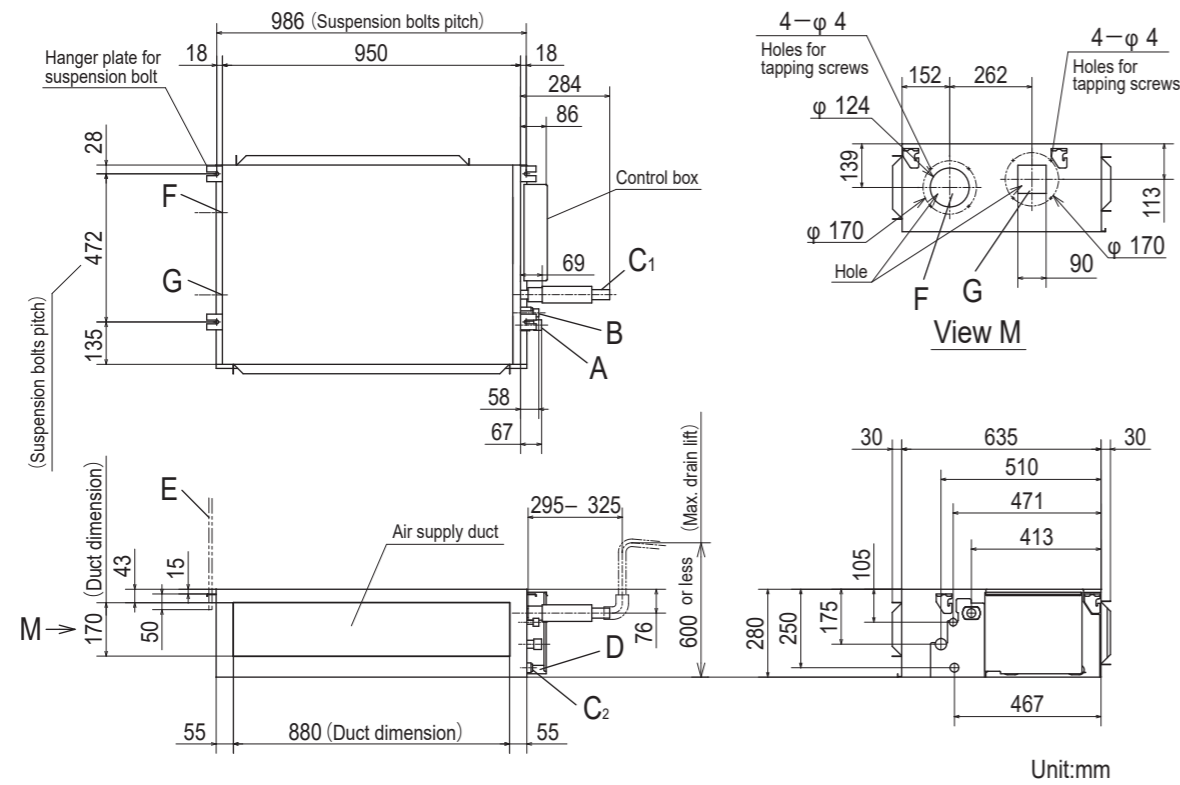


FDU Series

FDU71VH



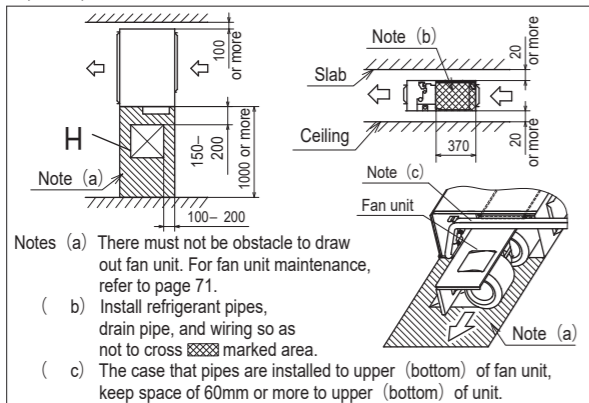
Symbol	Content	
A	Gas piping	φ 15.88 (5/8") (Flare)
B	Liquid piping	φ 9.52 (3/8") (Flare)
C1	Drain piping	VP25 (O.D.32)
C2	Drain piping (Gravity drainage)	VP20
D	Hole for wiring	
E	Suspension bolts	(M10)
F	Outside air opening for ducting	(Knock out)
G	Air outlet opening for ducting	(Knock out)
H	Inspection opening	(450×450)



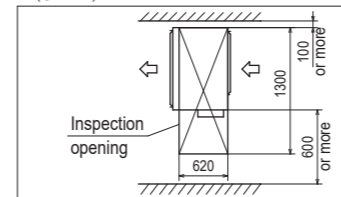
Unit:mm

Space for installation and service

Select either of two cases to keep space for installation and services.
(Case 1) From side of unit



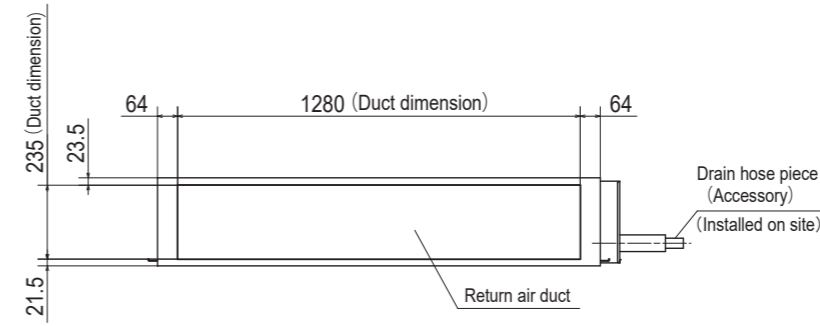
(Case 2) From bottom of unit



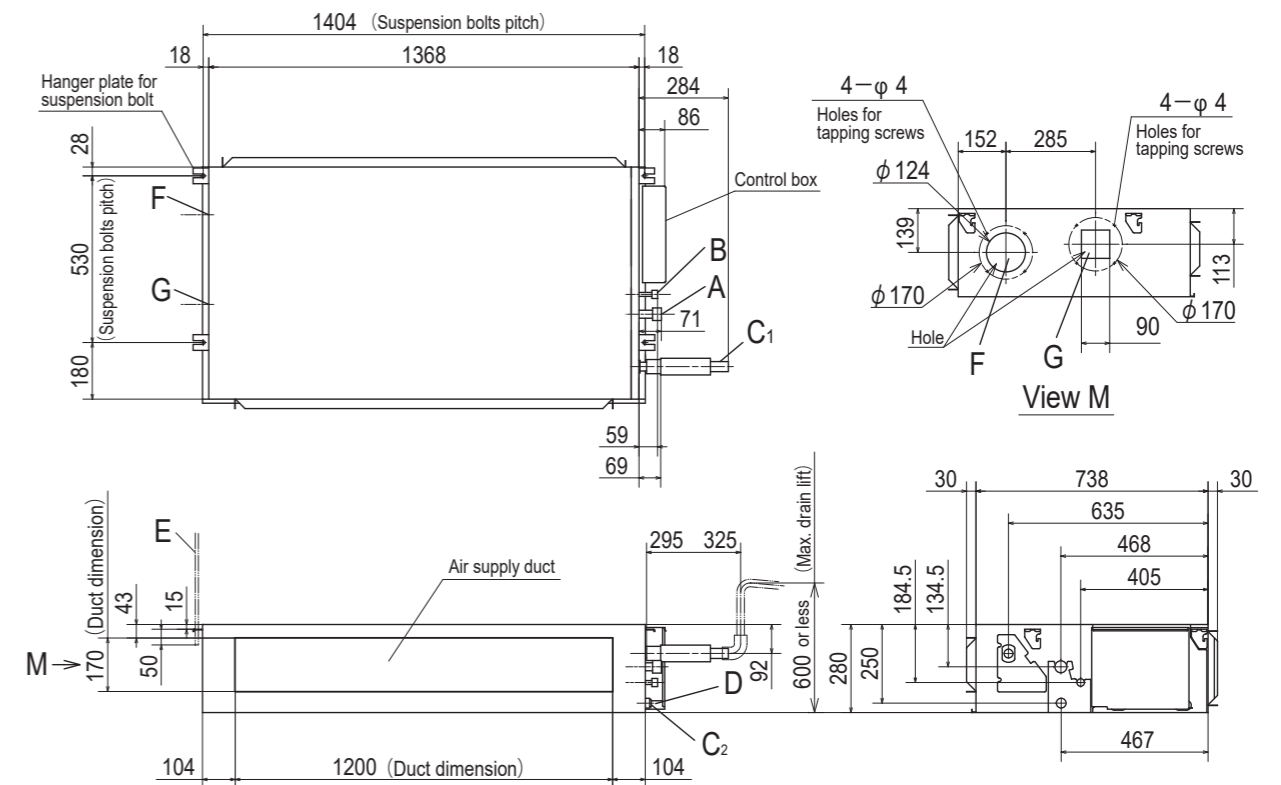
Note (1) The model name label is attached on the lid of the control box.

FDU Series

FDU100VH, 125VH, 140VH



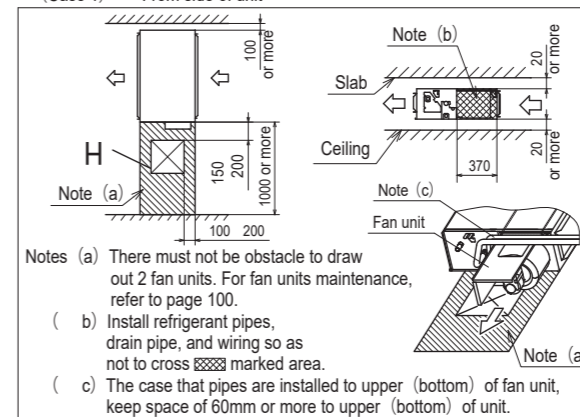
Symbol	Content	
A	Gas piping	φ 15.88 (5/8") (Flare)
B	Liquid piping	φ 9.52 (3/8") (Flare)
C1	Drain piping	VP25 (O.D.32)
C2	Drain piping (Gravity drainage)	VP20
D	Hole for wiring	
E	Suspension bolts	(M10)
F	Outside air opening for ducting	(Knock out)
G	Air outlet opening for ducting	(Knock out)
H	Inspection opening	(450×450)



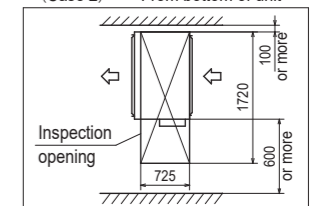
Unit:mm

Space for installation and service

Select either of two cases to keep space for installation and services.
(Case 1) From side of unit



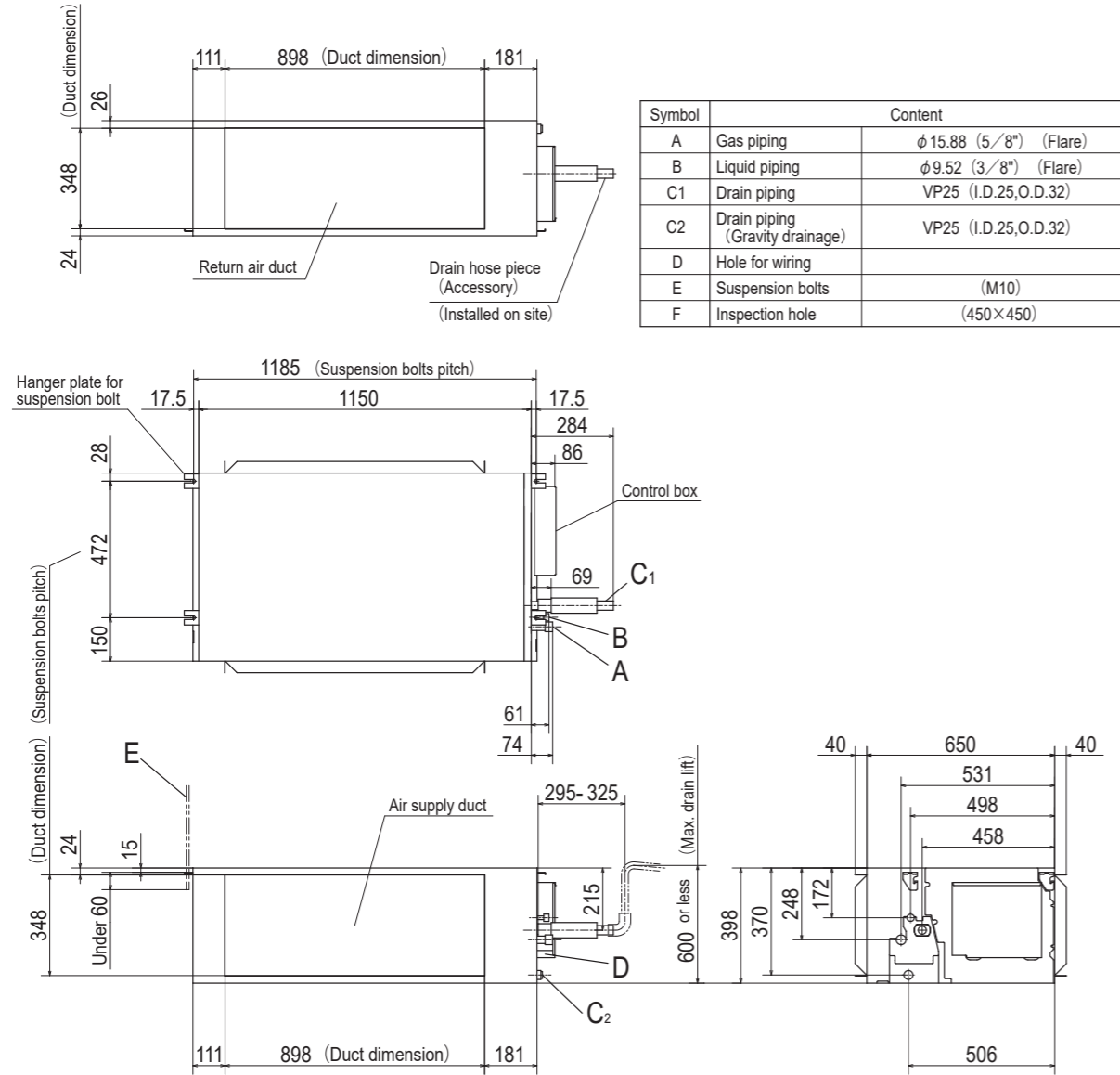
(Case 2) From bottom of unit



Note (1) The model name label is attached on the lid of the control box.

FDUA Series

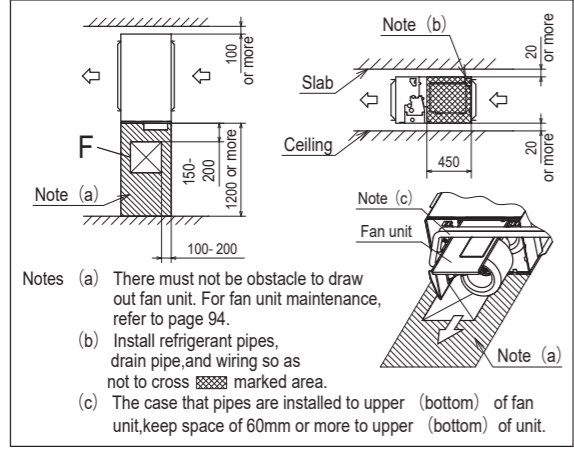
FDUA100, 125VH



Symbol	Content	
A	Gas piping	φ 15.88 (5/8") (Flare)
B	Liquid piping	φ 9.52 (3/8") (Flare)
C1	Drain piping	VP25 (I.D.25,O.D.32)
C2	Drain piping (Gravity drainage)	VP25 (I.D.25,O.D.32)
D	Hole for wiring	
E	Suspension bolts	(M10)
F	Inspection hole	(450×450)

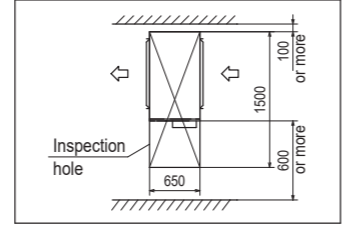
Space for installation and service

Select either of two cases to keep space for installation and services.
(Case 1) From side of unit



- Notes
- (a) There must not be obstacle to draw out fan unit. For fan unit maintenance, refer to page 94.
 - (b) Install refrigerant pipes, drain pipe, and wiring so as not to cross marked area.
 - (c) The case that pipes are installed to upper (bottom) of fan unit, keep space of 60mm or more to upper (bottom) of unit.

(Case 2) From bottom of unit

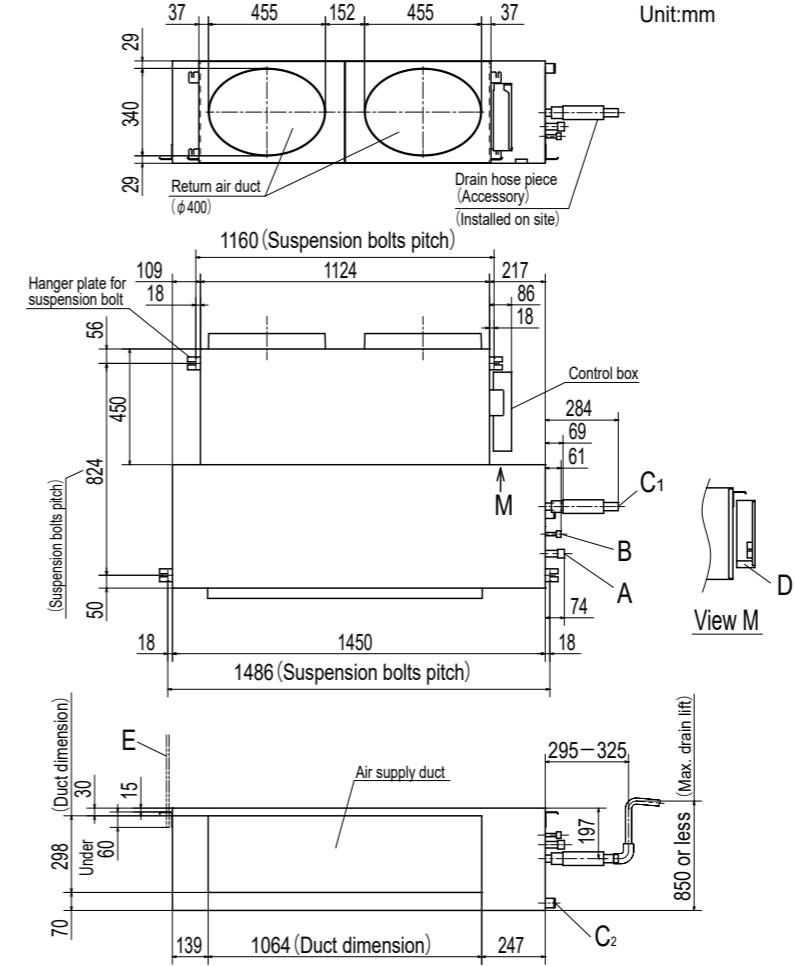


Note (1) The model name label is attached on the lid of the control box.

Unit:mm

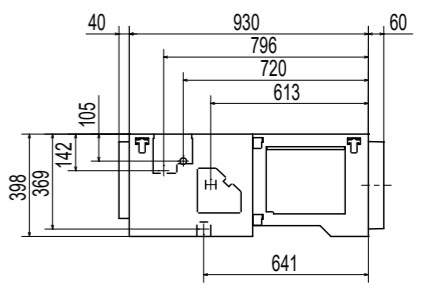
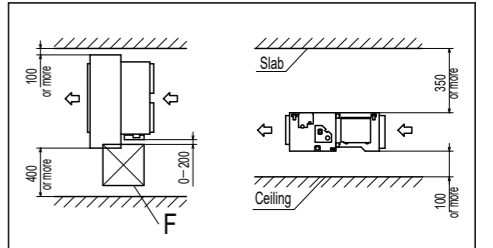
FDUA Series

FDUA140, 160VG



Symbol	Content	
A	Gas piping	φ 15.88 (5/8") (Flare)
B	Liquid piping	φ 9.52 (3/8") (Flare)
C1	Drain piping	VP25 (O.D.32)
C2	Drain piping (Gravity drainage)	VP25 (O.D.32)
D	Hole for wiring	
E	Suspension bolts	(M10)
F	Inspection opening	(450×450)

Space for installation and service

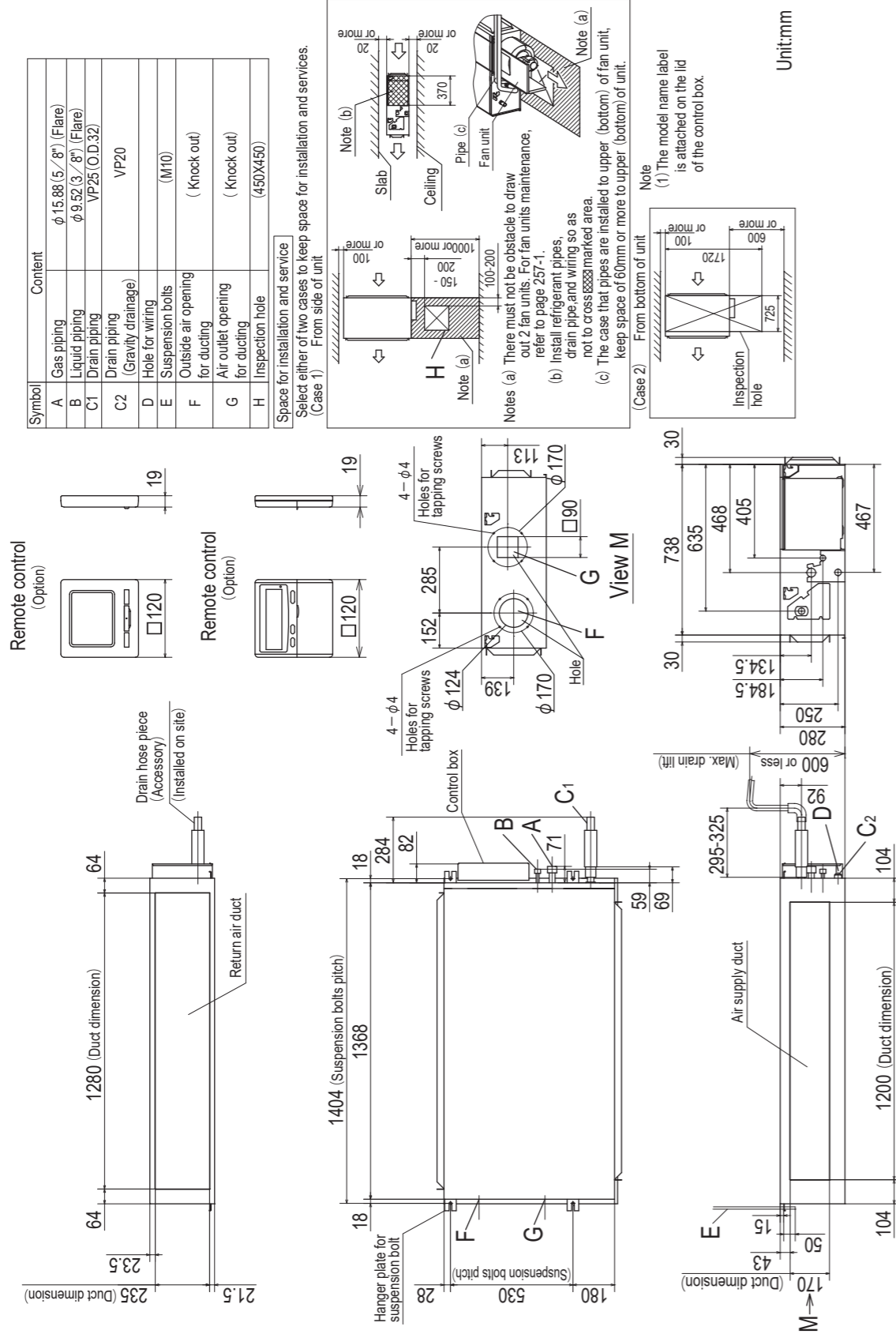


Unit:mm

View M

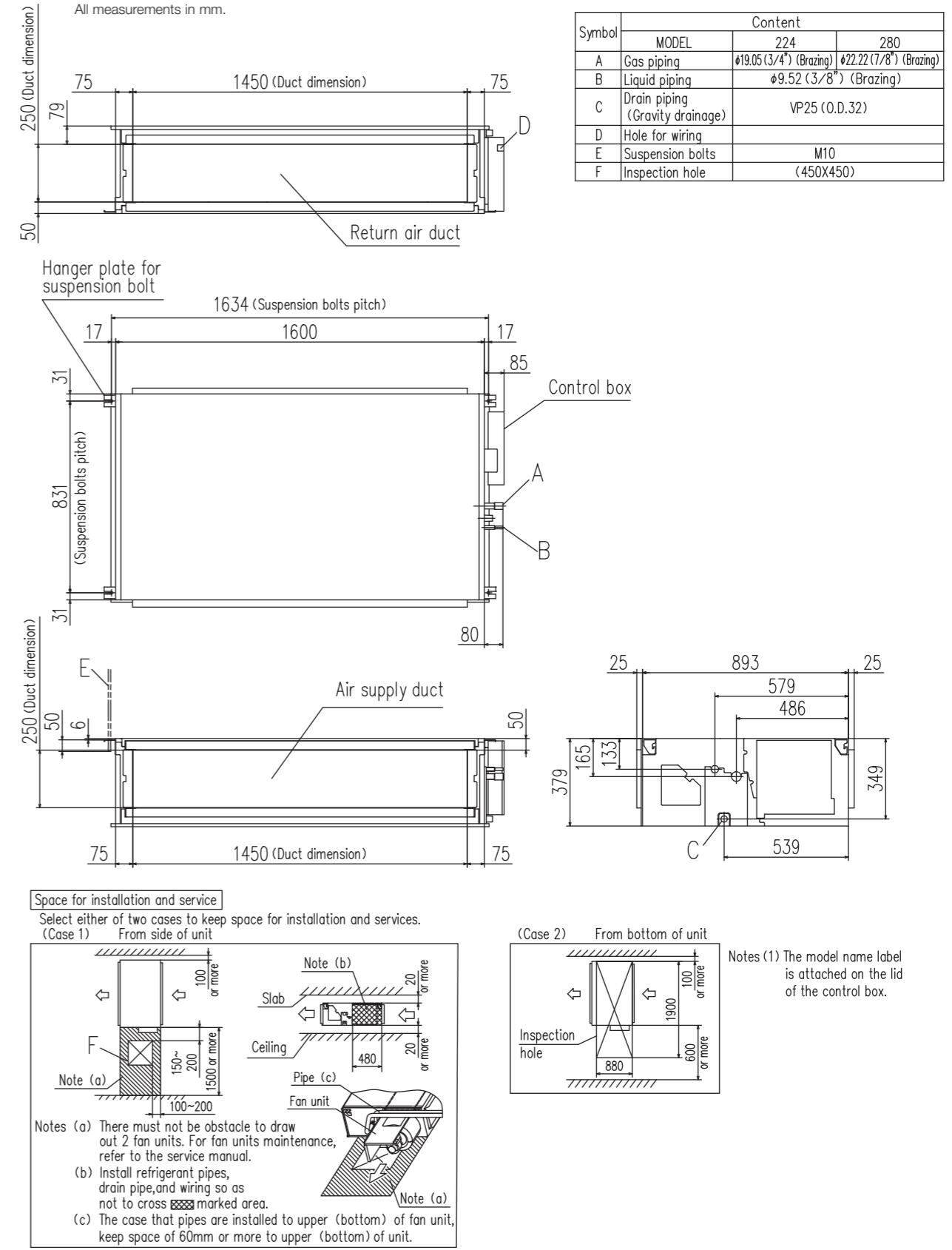
KX Series

FDU112KXE6F, 140KXE6F, 160KXE6F



KX Series

FDU224KXZE1, 280KXZE1



SUPERIOR TECHNOLOGY THAT **OUTLASTS AND OUTPERFORMS**

mhiaa.com.au

ABN 92 133 980 275

Australia:

Phone: **1300 138 007**

NSW & Head Office

Block E, 391 Park Road, Regents Park NSW 2143

Victoria

2/15 Howleys Road, Notting Hill VIC 3168

Brisbane

5/26 Flinders Parade, North Lakes QLD 4509

Townsville

1/37 Ross River Road, Mysterton QLD 4812

Western Australia

1/15-17 Capital Road, Malaga WA 6090

mhiheatpumps.co.nz

G.S.T. 105-673-620

New Zealand:

Phone: **0800 138 007**

Auckland

698A Great South Road, Penrose, 1061

Mitsubishi Heavy Industries Air conditioners Australia, Pty. Ltd.



MOVE THE WORLD FORWARD  **MITSUBISHI
HEAVY
INDUSTRIES
GROUP**