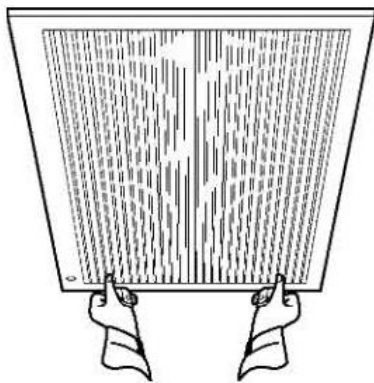


## How to clean your return air filter

### 1. Disconnect the return air grille.

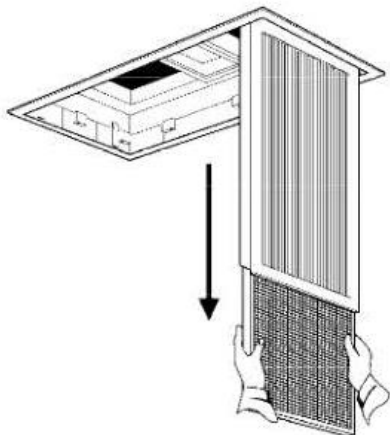
Disconnect the fixing holding the hinged return air grille to the frame. This will be a screw or sliding clip found to one side of the grille face.



Ensure you support the grille face while undoing the screws / clips to avoid it freely swinging downwards.

### 2. Remove the filter from the frame.

Swing the filter frame open and slide out the filter.



### 3. Clean and dry.

Begin by first shaking the filter outside to remove any obvious dust and dirt. We recommend first trying to vacuum the filter.

If it does not clean easily, manufacturers recommend washing the filters with warm soapy detergent and then drying them in the shade.

### 4. Replace the filter and return air grille.

Once completely dry, slide the filter back into the return air frame and resecure the grille by fixing the screw or clips.

