



Air Conditioning Systems

AE-200E

CENTRALISED CONTROLLER

PRODUCT FLYER



AE-200E

Centralised Controller

The AE-200E is a state of the art, 10.4" LCD colour touch screen controller to provide you the ultimate system management tool. The AE-200E's large, back-lit display makes programming a breeze, giving you control of temperature, fan speed and airflow options at the touch of the screen.

With the added benefit of comprehensive energy consumption monitoring and comparisons with the previous year's power consumption. Monitor and control 50 indoor units, control up to 200 units by using three AE-50E / EW-50E expansion controllers. One of the most advanced energy monitoring centralised controllers available. The AE-200E allows complete control from one location.



Key Features

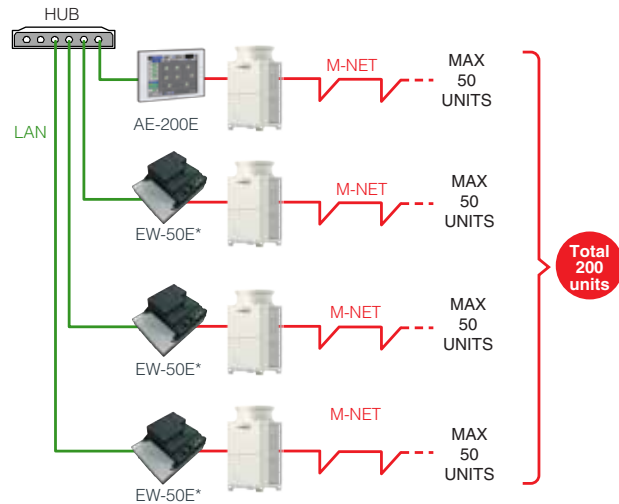
- » Touch screen control of up to 50 units (200 units with AE-50E/ EW-50E connected).
- » Control of M series, Mr Slim, City Multi, HVRF and LOSSNAY units.
- » Control third party equipment
- » Scheduling and night set back
- » Web based control
- » Energy monitoring of multiple air conditioning systems
- » Energy data stored on controller to enable historical trend analysis
- » Graphical representation of energy use on touch screen and web pages.
- » Energy consumption targets on touch screen and web pages
- » Downloadable energy data files (CSV)
- » Power apportioning for tenant billings
- » BACnet communication

Apportioned Electricity Charge Function

The amount of power consumed by the air conditioners is calculated with the use of AE-200E. The calculated data can be output to the PC via USB memory or LAN, and the charge report can be created with the use of designated charge calculation tool.

System Structure

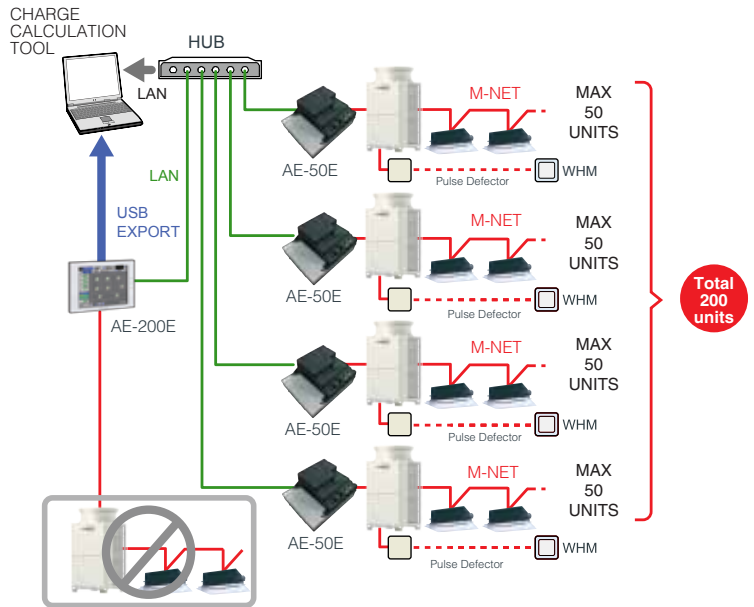
System Diagram (standard)



*AE-50E can also be used

Note: When M-NET of AE-200E is not used, a maximum of four EW-50E units can be connected.

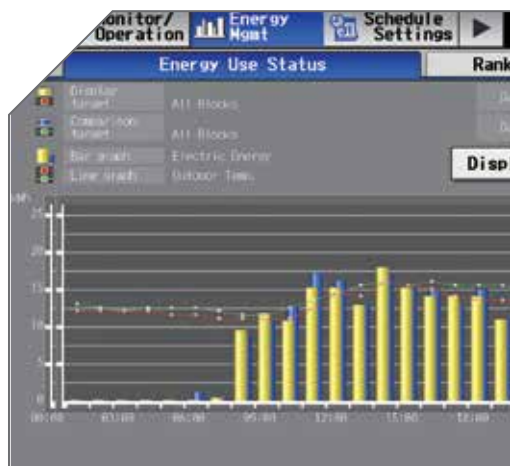
System Diagram (with charge setting)



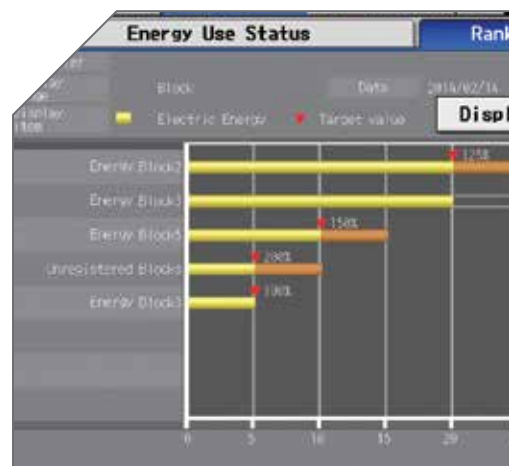
Energy consumption monitoring

By comprehensively showing the energy consumption of air-conditioning equipment, it provides assistance in energy saving.

Energy consumption of air-conditioning equipment by individual area is displayed using graphs for easier viewing. Enables comparisons with the previous year's power consumption as well as with the target electric power, thus allowing users to check the operating state at a glance. Floor layout is displayed on the 10.4 inch LCD touch panel, facilitating easier operation of air-conditioning equipment.



Energy consumption of applicable area is displayed by the month, day, and hour. Energy consumption of two different units, groups and blocks can be compared. Fan operation time as well as energy consumption can be displayed.

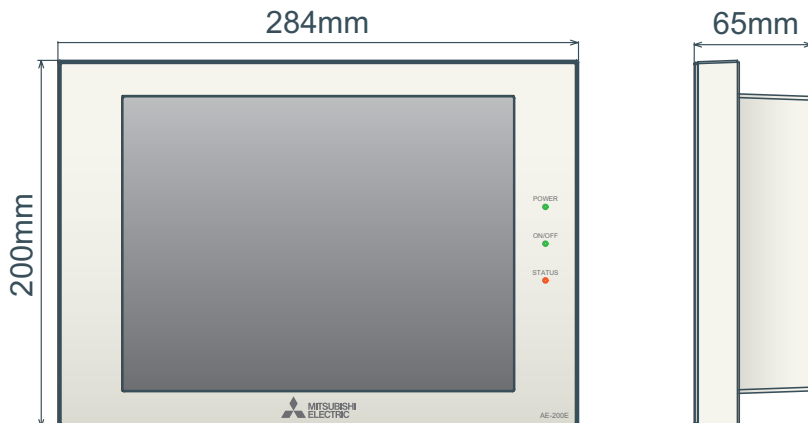


Energy consumptions of air-conditioning equipment are ranked and displayed by individual air conditioning equipment and by area, thus visualising high-load components. Also, comparison of energy consumption with target electric energy is possible.

Specifications

Item	Description	Operations	Display
Controllable number of unit	Up to 50 units / 200 groups - with the use of AE-50E / EW-50E	* ● ► ■	* ●
ON/OFF	ON and OFF operation for the air conditioning units and general equipment. (To operate general equipment, PAC-YG66DCA is required.)	* ● ► ■	*
Operation mode	Switches between several operation modes depending on the air conditioning unit. Air conditioning unit: Cool/Dry/Auto(*)/Fan/Heat LOSSNAY unit: Heat Recovery/Bypass/Auto Air To Water (PWFY) units: Heating, Heating ECO, Hot Water, Anti-freeze, Cooling (**) * Auto mode is for CITY MULTI R2 and WR2 series only. ** Only PWFY	* ● ► ■	*
Fan speed	Models with 4 airflow speed settings: Hi/Mid-2/Mid-1/Low Models with 3 airflow speed settings: Hi/Mid/Low Models with 2 airflow speed settings: Hi/Low Fan speed setting (including Auto) varies depending on the model.	* ● ► ■	*
Airflow direction setting	Airflow Direction angles, 4-angles or 5-angles Swing, Auto (Louver cannot be set)	* ● ► ■	*
Schedule operation	Weekly schedule can be set by groups based on daily operation pattern.	* ● ► ■	*
Permit/prohibit local operation	Individually prohibits operation of each local remote con (ON/OFF, Operation mode, Set temperature, Filter sign reset, Air Direction*, Fan Speed*, Timer*) * This function depends on the model	* ● ► ■	*
Indoor unit intake temperature	Measures the intake temperature of the indoor unit only when the indoor unit is operating.	×	*
Error	When an error is currently occurring on an air conditioning unit, the allocated unit and the error code are displayed.	×	□ ●
Test run	This operates air conditioning units in test run mode.	* ● ► ■	*
Ventilation interlock	The ventilation unit (LOSSNAY) is able to automatically start its operation when operation of the interlocked indoor unit starts.	* ● ► ■	*
External input/output	By using optional external input/output adapter (PAC-YG10HA-E) the monitor can be set at the following Input : By level signal : "Batch ON/OFF", "Batch emergency stop" By pulse signal : "Batch ON/OFF", "Enable/disable local remote controller" Output : "ON/OFF", "Error/Normal"	●	●
Energy Management	Bar Graph : Indoor unit Electric Energy, FAN operation time, Thermo-ON time (TOTAL, Cooling, Heating) can be displayed hourly, daily and monthly. Line Graph : Outdoor temp., Room temp., Set temp. (Heating, Cooling) input from PAC-YG63MCA and temp from AHC.	×	□ * ■
Advanced HVAC Controller (AHC)	The status of AHC can only be monitored.	×	*
New ME controller	The status of sensor on this controller can be monitored.	×	*
Smartphone / Tablet	The specified web browser on iOS and Andriod IOS can monitor and operate AE-200E	*	*
New Web Design	The web screen design is renewed for a user friendly interface.	* ● ► ■	*
BACnet® Communication	ANSI/SHRAE 135-2010 (ISO16484-5) is supported and approved by the BTL	*	×

KEY: □ Each unit * Each group • Each Block ► Each Floor • Collective × Not Available



MitsubishiElectric.com.au